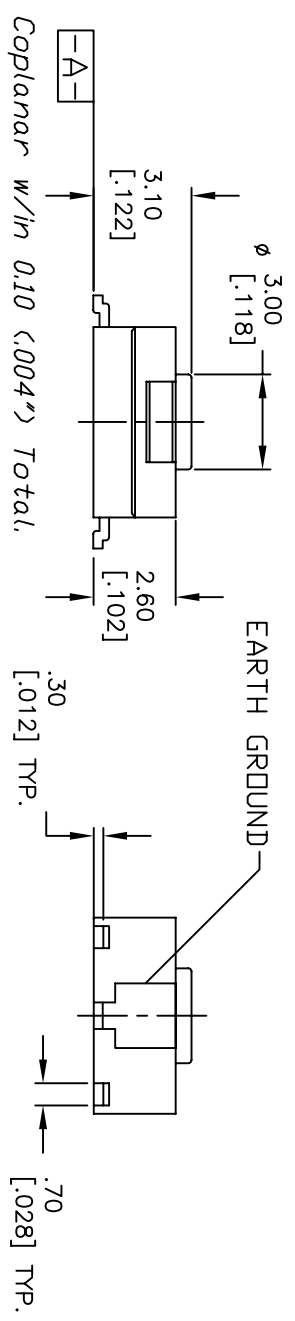
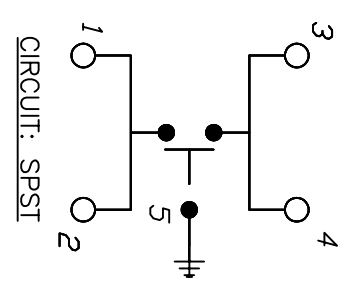
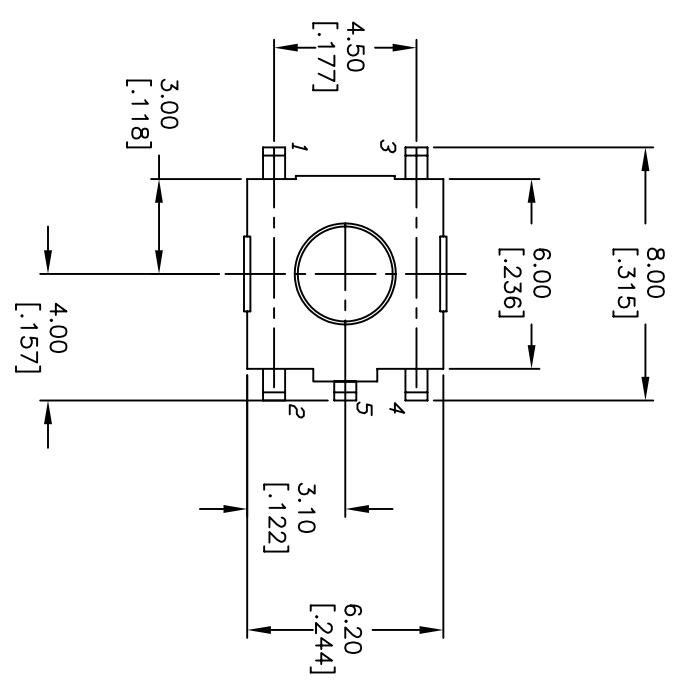


RECOMMENDED P.C.B. LAND



- NOTES:
1. ALL DIMENSIONS IN MM
 2. GENERAL TOLERANCE: X.X=±0.4
X.XX=±0.25
 3. TERMINAL NOS FOR REF. ONLY
 4. TRAVEL: 0.25 +0.2/-0.1mm
 5. RATING: 50mA, 12VDC
 6. OPERATING FORCE: 260±50gf
 7. CONTACT RESISTANCE: 50m OHM MAX.
 8. PACKAGED: TAPE & REEL 1,500 PER REEL 5 Terminals
 9. INSULATION RESISTANCE: 100M OHMS
 10. DIELECTRIC DITRENGTH: 250 VAC
 11. OPERATING TEMP: -20°C TO 70°C
 12. 2002/95/EC (ROHS) COMPLIANT
 13. ELECTRICAL LIFE: 100,000 CYCLES
 14. BOUNCE: <10m SEC.

E	15835	EDIT NOTES	3/1/06	PH					
D	15759	EDIT NOTES	2/13/06	PH					
C	15514	EDIT CIRCUIT LAYOUT	11/10/05	PH					
B	11904	REVISED AND REDRAWN	6/25/02	CJB					
REV.	ECN No.	DESCRIPTION	DATE	CHKD					
THE INFORMATION CONTAINED IN THIS DOCUMENT IS PROPRIETARY TO E-SWITCH AND IS NOT TO BE COPIED OR TRANSMITTED					SCALE	DATE	DR	DWG	REV
					4:1	6/25/02	CJB	P010526	E
					E-SWITCH® TITLE: TLE3303 F260 Q G (TAPE & REEL)				