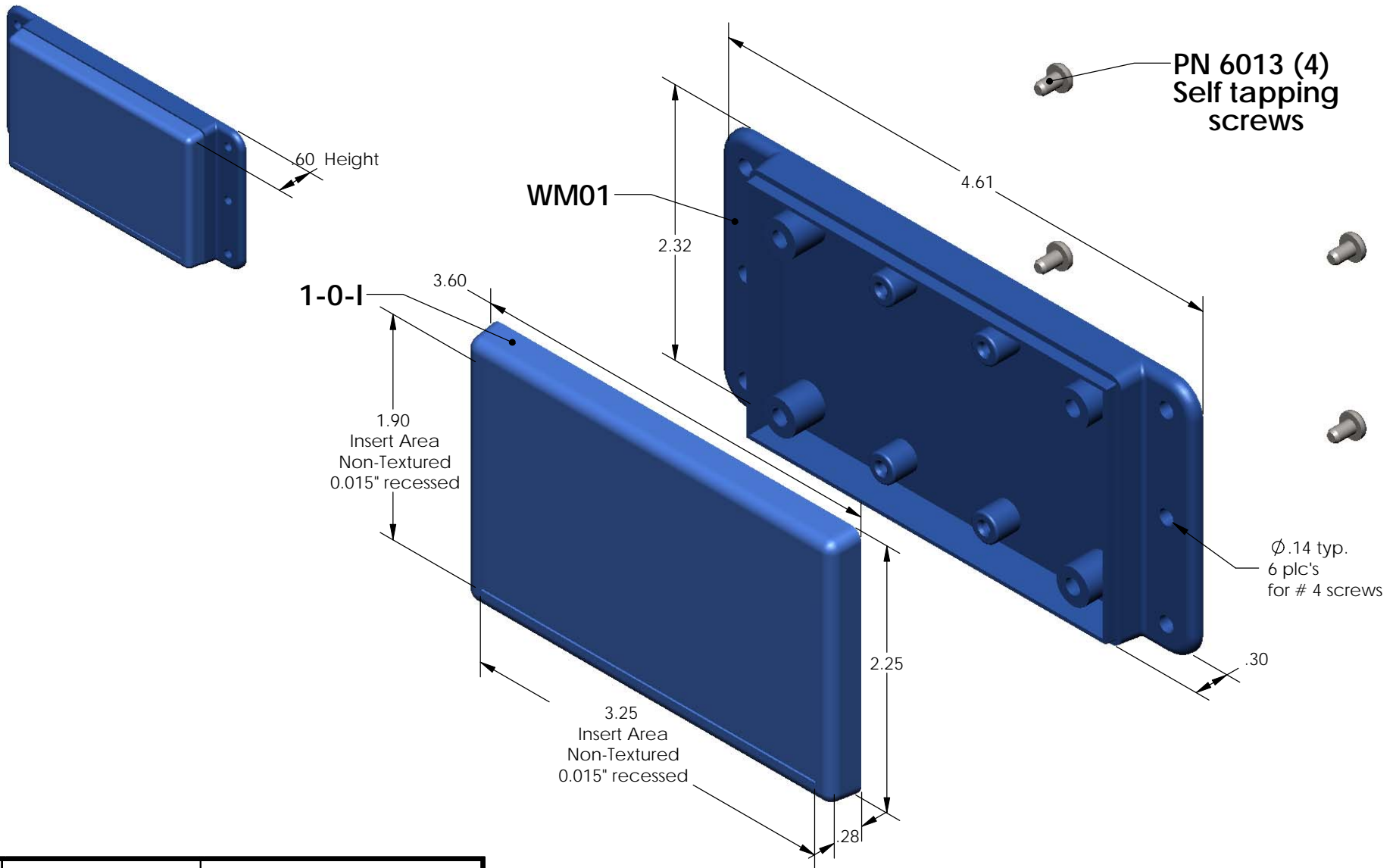


# SERPAC WM010-I (exploded isometric)

Electronic Enclosures



| PART NO. | DESCRIPTION (Included)    | ACCESSORIES (Optional) |                              |
|----------|---------------------------|------------------------|------------------------------|
| 1-0-I    | TOP                       | PART NO.               | DESCRIPTION                  |
| WM01     | BOTTOM                    | 50                     | Non-skid Feet                |
| 6013     | #4 self tapping screw (4) | 310                    | Prototype grid board (Horiz) |
|          |                           | 410                    | Prototype clad board (Horiz) |

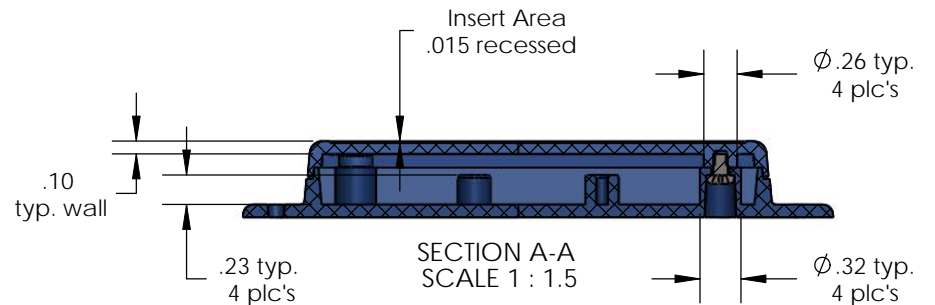
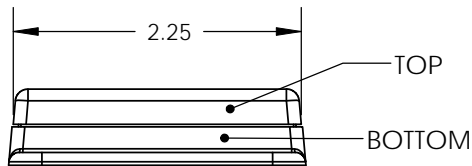
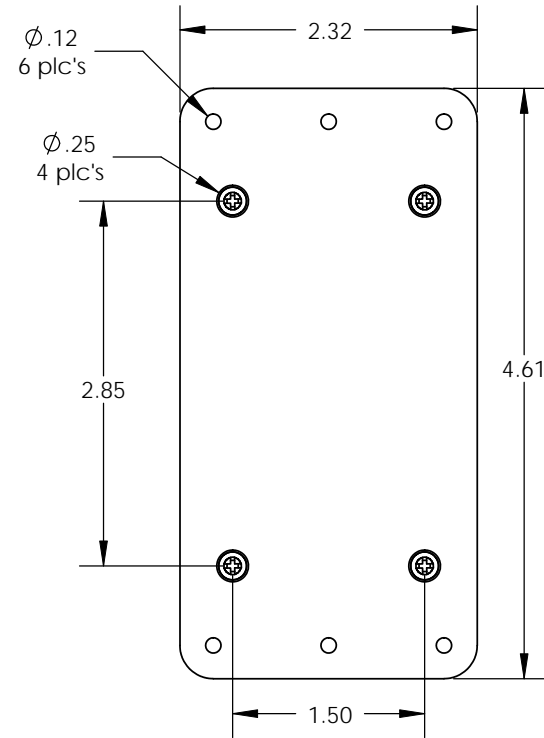
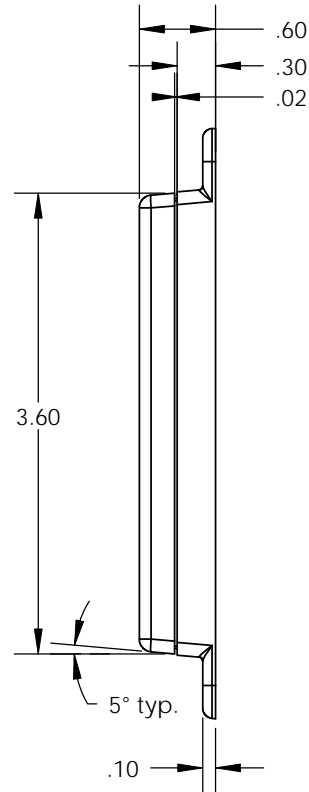
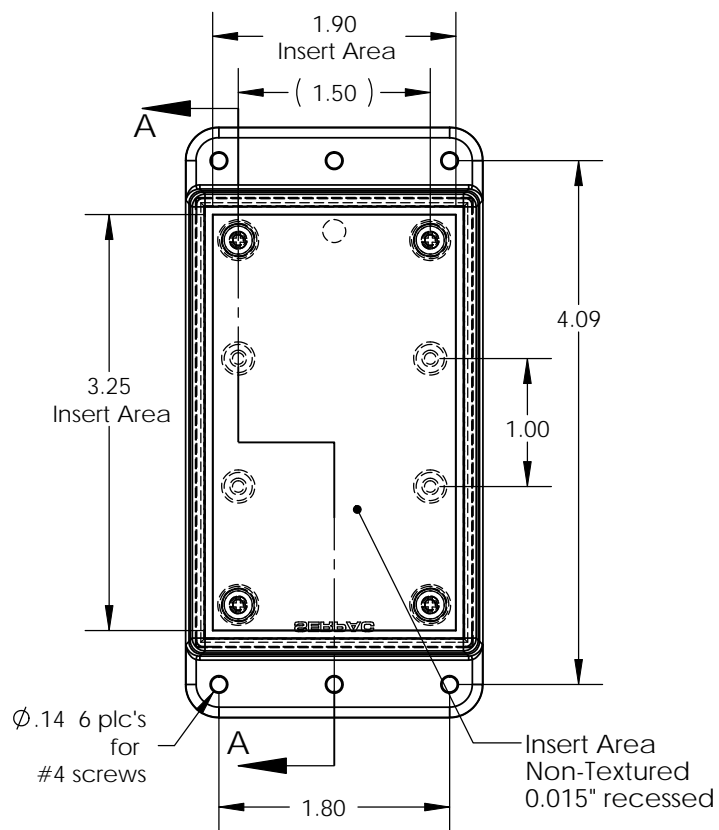
Notes:

- 1) Enclosure meets or exceeds IP40 and NEMA 1
- 2) Circuit Board drawings can be download at: <http://www.serpac.com/Accessories/CircuitBoard/drawings/310-410.pdf>
- 3) All components are RoHS Compliant.

ALL DIMENSIONS ARE ± .010" 5/8/09 (1 of 2)  
 619 Commercial Ave. Covina, CA 91723  
 Ph. (626) 331-0517 Fx. (626) 331-8584 serpac.com

# SERPAC WM010-I (user print)

Electronic Enclosures



| PART NO. | DESCRIPTION (Included)    | ACCESSORIES (Optional) |                              |
|----------|---------------------------|------------------------|------------------------------|
| 1-0-1    | TOP                       | PART NO.               | DESCRIPTION                  |
| WM01     | BOTTOM                    | 50                     | Non-skid Feet                |
| 6013     | #4 self tapping screw (4) | 310                    | Prototype grid board (Horiz) |
|          |                           | 410                    | Prototype clad board (Horiz) |

Notes:

- 1) Enclosure meets or exceeds IP40 and NEMA 1
- 2) Circuit Board drawings can be download at:  
<http://www.serpac.com/Accessories/CircuitBoard/drawings/310-410.pdf>
- 3) All components are RoHS Compliant.