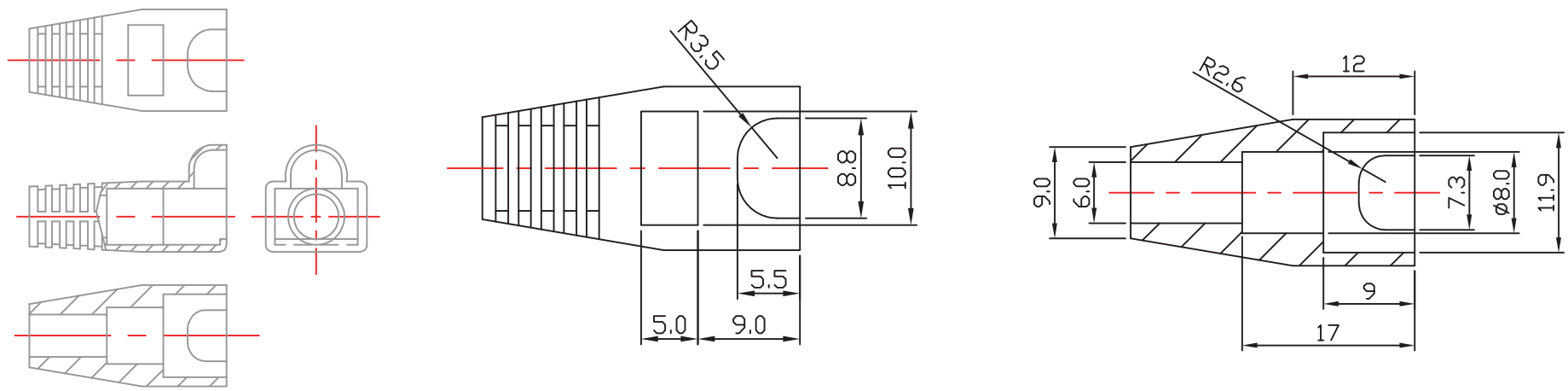


1 2 3 4 5 6 7

A



A

B

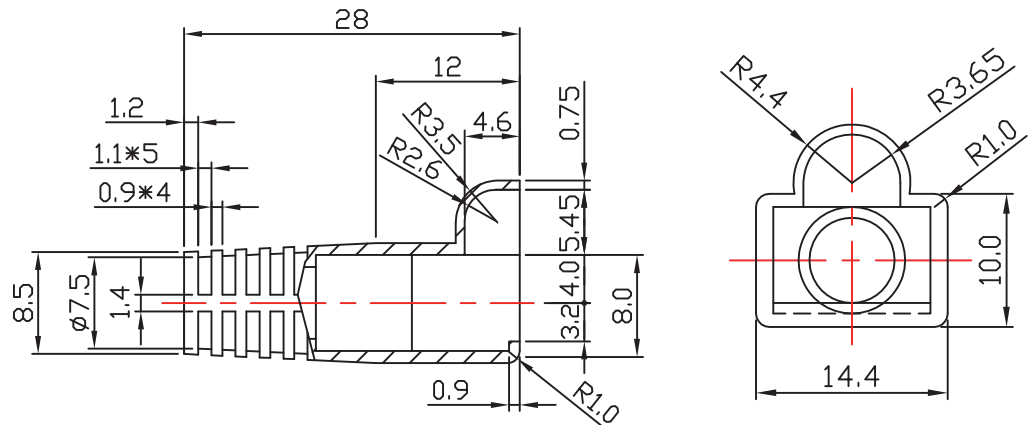
B

C

C

D

D



**Material:**

- For 8P8C RJ45 modular plugs
- Suitable for shielded and non-shielded modular plugs
- With latch protection
- Operating Temperature: -40°C ~ 70°C

**\*Not for Hirose type**

Unit: MM

F

F

G

G



Scale	1:1						Name
TOLERANCE					Drawn	11.21.11	Chappell
X.X	±0.40				Approved		
X.XX	±0.25						
X.XXX	±0.15						
Angle	±3°						
Modification				Date	Name		

Item No.		<b>A-MOT/E-8/8-R</b>	
Title Kink protection boot - RJ45/8P8C modular plugs, Grey			
Drawing No.			
Replace		rev00	
		Sheet	

H

H

1 2 3 4 5 6 7