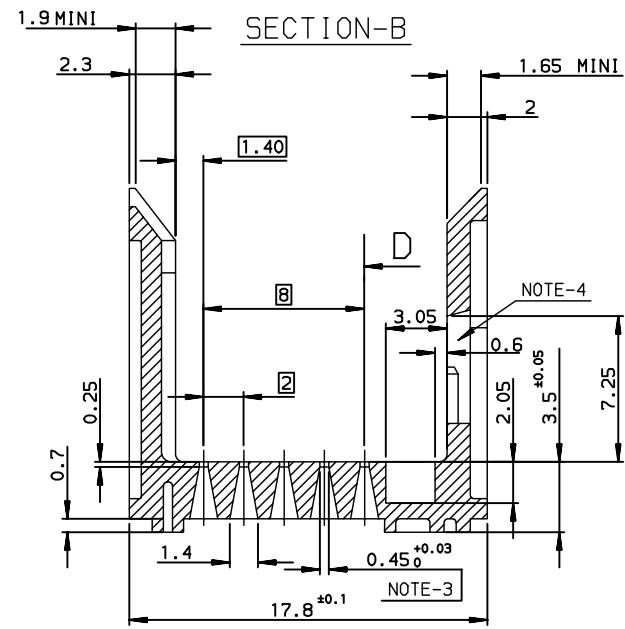
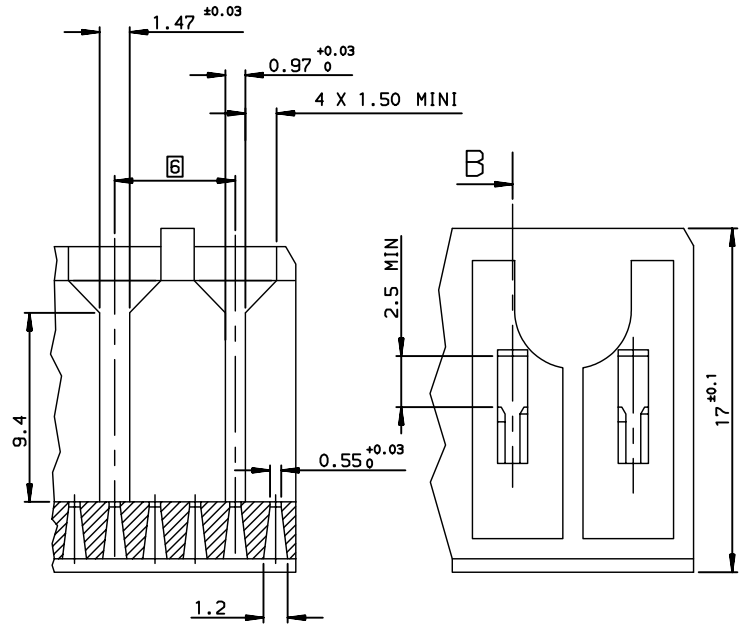
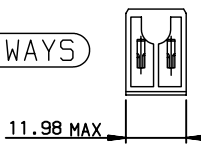


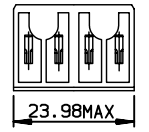
REDUCED SCALE SHEET



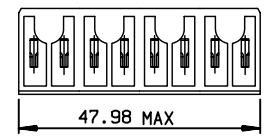
30 WAYS



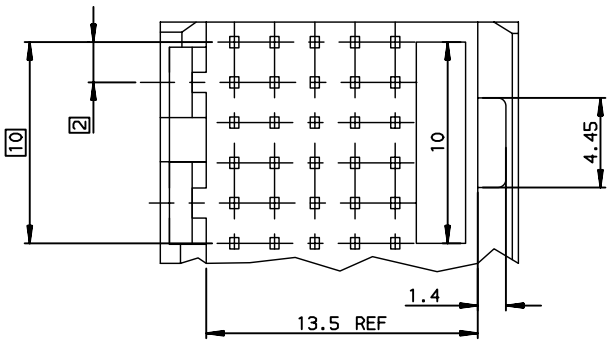
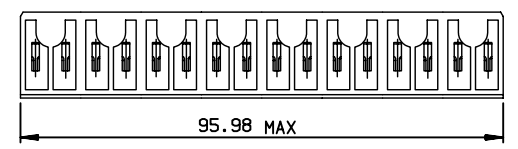
60 WAYS



120 WAYS



240 WAYS



NB OF WAY	PART NUMBERS	COMMENTS
30	HM13216LF OR 89055-111LF	RoHS COMPATBLE VERSION
60	HM13217LF OR 89055-112LF	RoHS COMPATBLE VERSION
120	HM13218LF OR 89055-113LF	RoHS COMPATBLE VERSION
240	HM13219LF OR 89055-114LF	RoHS COMPATBLE VERSION

European Views

- NOTE-1: OTHER DIMENSIONS IN ACCORDANCE WITH IEC-48B-(S.296) SPECIFICATION
- NOTE-2: MATERIAL LCP NATURAL COLOUR
- NOTE-3: FORCE FIT CAVITIES FOR RETENTION WITH REAR PLUG-UP CONTACT PART
- NOTE-4: CAVITY FOR LATCHING AND CODING

**NOTE: RoHS INFORMATIONS**

- The "LF" product meets European union Directives and other country regulations as described in GS-22-008.
- The product is not intended to be exposed to a manufacturing solder process.
- Packaging spec: see GS-14-920.

www.fciconnect.com		surface ISO 1302 ✓	tolerance std ISO 406 ISO 1101	projection mm
TOLERANCES UNLESS OTHERWISE SPECIFIED				
Dr	PERRICHOT	2002/08/21	ANGULAR	0.X ±0.1
Eng	TARON	2002/08/21	LINEAR	0.XX ±0.1
Chr	LEGARE	2002/08/21	0.XX' ±2'	0.XXX ±0.1
Appr	LEGARE	2002/08/21	Product family	---
size A3				Scale 4
ECN LS07-0249				Spec ref -
title WIDE BODY STAND-OFF 3.5mm			dwg no 89055	Rev. N
catalog no			CUSTOMER	sheet 1 of 1

rev	ecn no	dr	date
L	-	TAR	2005/10/01
M	LS06-0114	LGO	2006/08/14
N	LS07-0249	JT	2007/10/08
-	-	-	-
-	-	-	-
-	-	-	-

Copyright FCI. FCJ