

THIS DRAWING IS UNPUBLISHED.

RELEASED FOR PUBLICATION

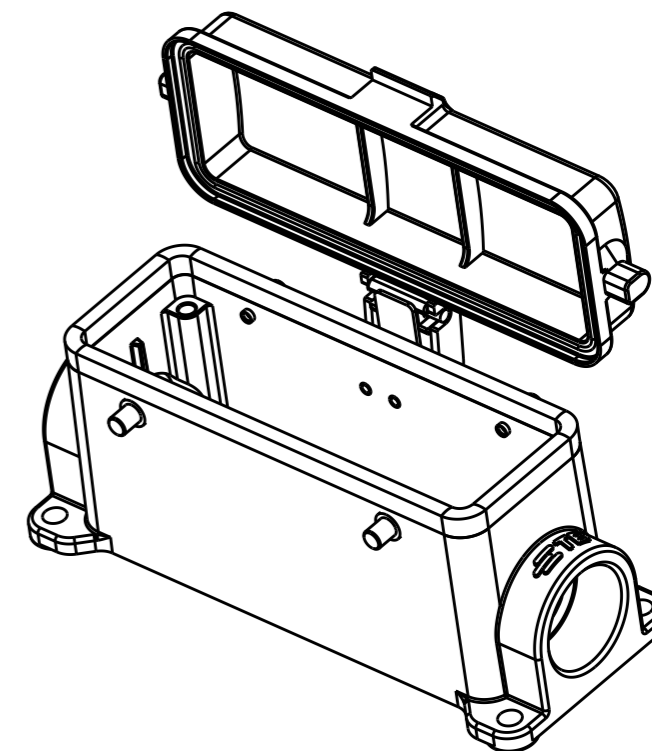
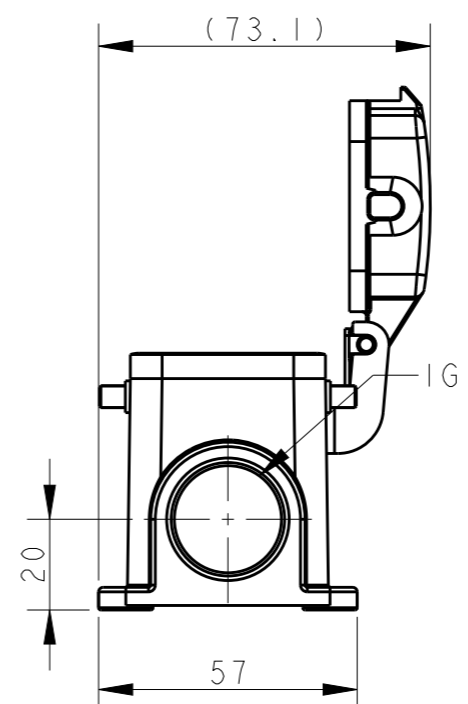
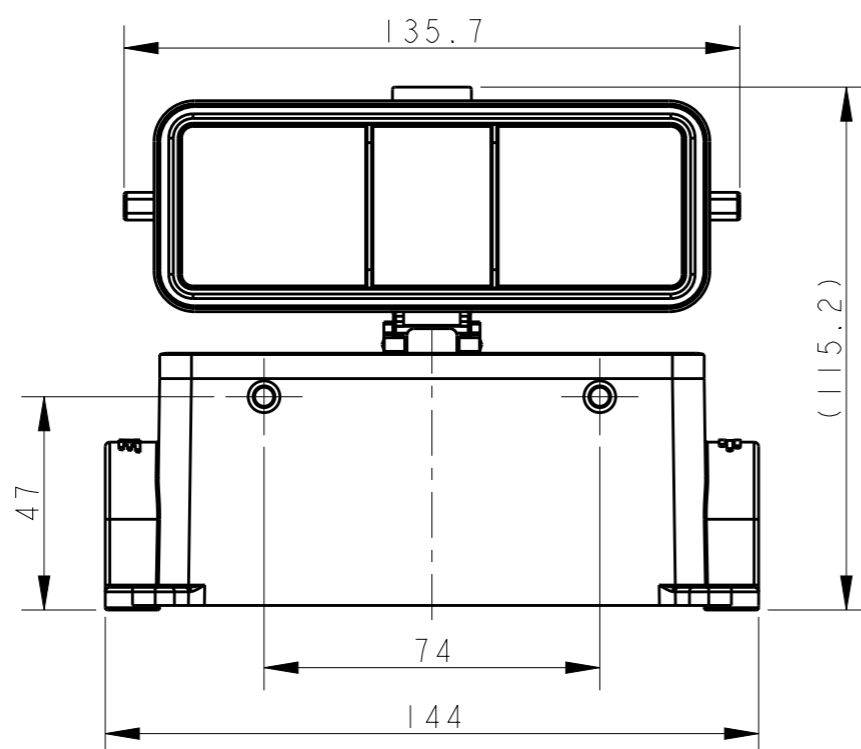
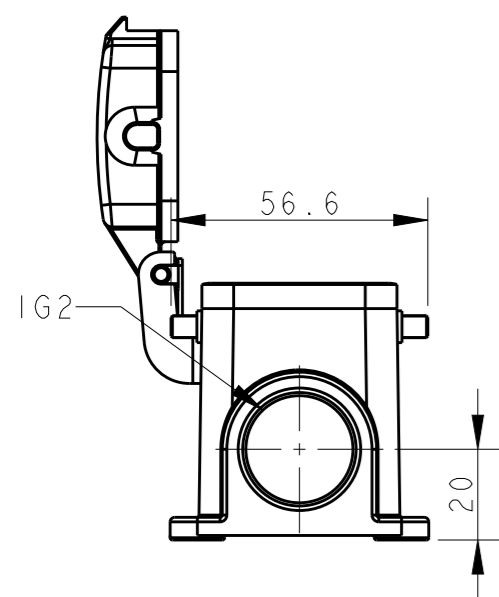
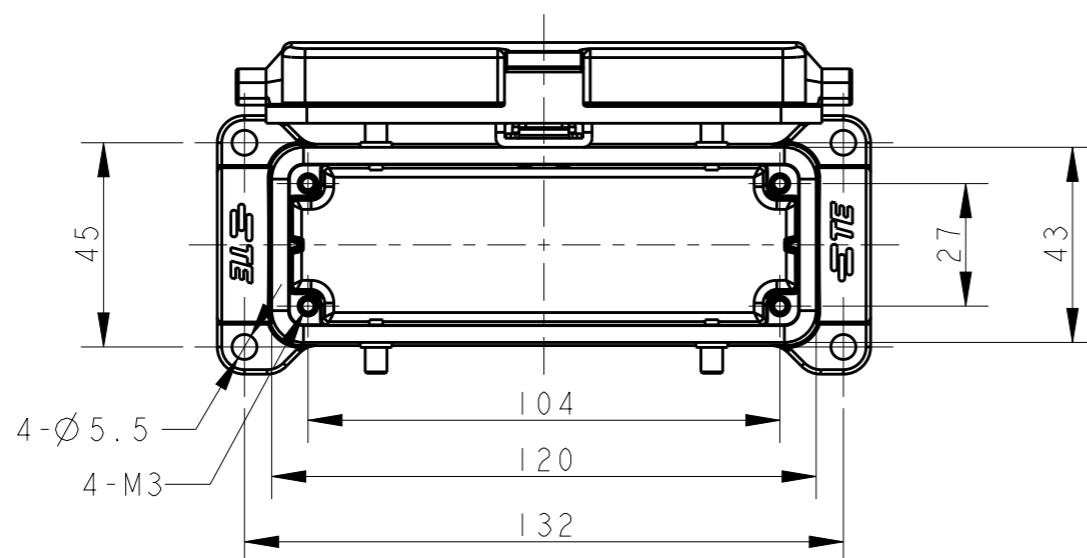
20

© COPYRIGHT 20 BY -

ALL RIGHTS RESERVED.

REVISIONS

P	LTR	DESCRIPTION	DATE	DWN	APVD
	A	INITIAL RELEASE	17JUN2015	DL	CW



TYPE I: BODY + PLASTIC PROTECTITON COVER

NOTES:

- 1. TECHNICAL CHARACTERISTICS:
 BODY MATERIAL: DIE CAST ALUMINIUM ALLOY
 SURFACE TREATMENT: POWDER-COATED, GRAY
 OPERATION TEMPERATURE: -40-+125°C
 DEGREE OF PROTECTION: IP65 (MATED)

注释:

- 1. 技术参数:
 主体材料: 铝合金
 表面处理: 粉末喷涂, 灰色
 工作温度: -40-+125°C
 防护等级: IP65(配合)

T1460240121-000	TYPE I	H24B-SDR-BO-PG21	PG21	-
T1460240125-000		H24B-SDR-BO-M25	M25	-
T1460240221-000		H24B-SDR-BO-2PG21	PG21	PG21
T1460240225-000		H24B-SDR-BO-2M25	M25	M25
ASSEMBLY PART NUMBER	TYPE	ASSEMBLY PART DESCRIPTION	IG1	IG2

THIS DRAWING IS A CONTROLLED DOCUMENT.		DWN 17JUN2015 DAVID LI	TE Connectivity	
DIMENSIONS: mm		CHK 17JUN2015 CHRIS WANG		
TOLERANCES UNLESS OTHERWISE SPECIFIED:		APVD 17JUN2015 XU XIANG	NAME H24B-SDR-BO-PG/M	
		PRODUCT SPEC 108-137013	SIZE A3	
MATERIAL		APPLICATION SPEC 114-137013	CAGE CODE	DRAWING NO
FINISH		WEIGHT	-	©-T146024XXXX000
		CUSTOMER DRAWING	RESTRICTED TO	-
		SCALE 3:5	SHEET 1 OF 2	REV A

THIS DRAWING IS UNPUBLISHED.

RELEASED FOR PUBLICATION

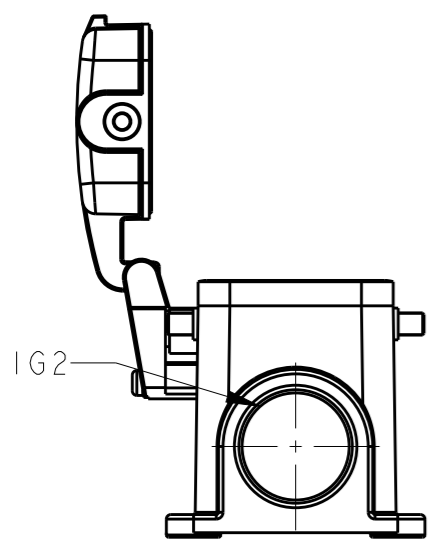
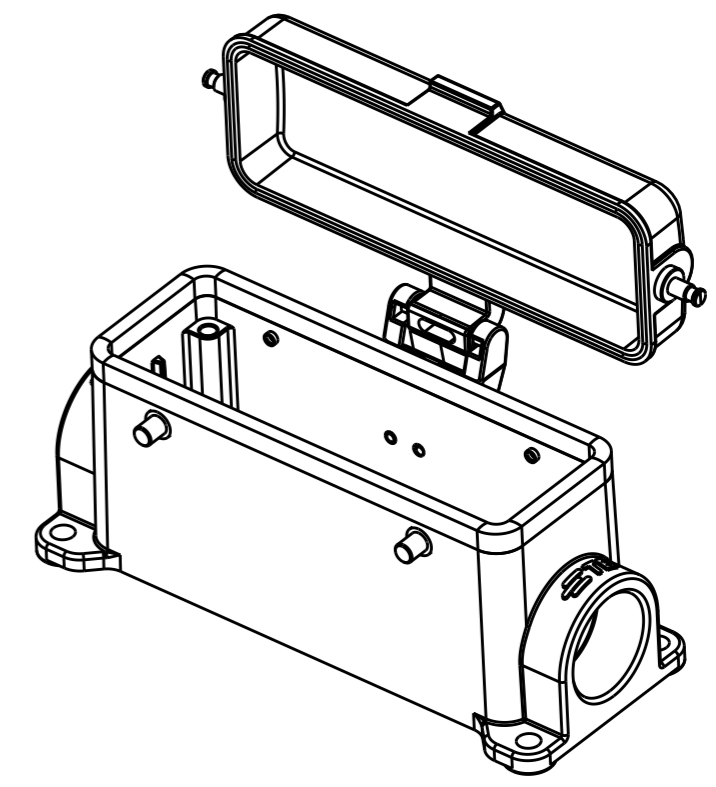
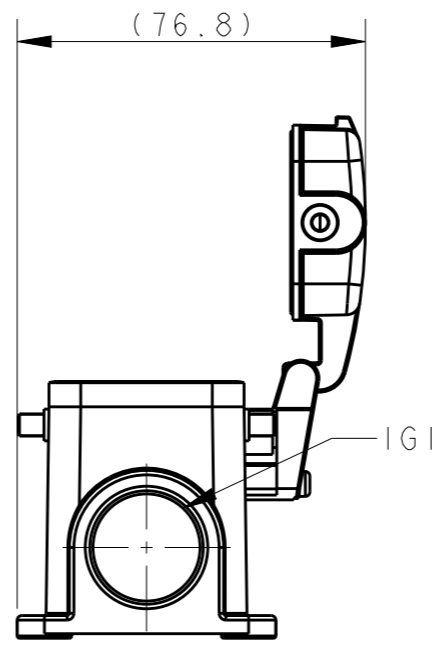
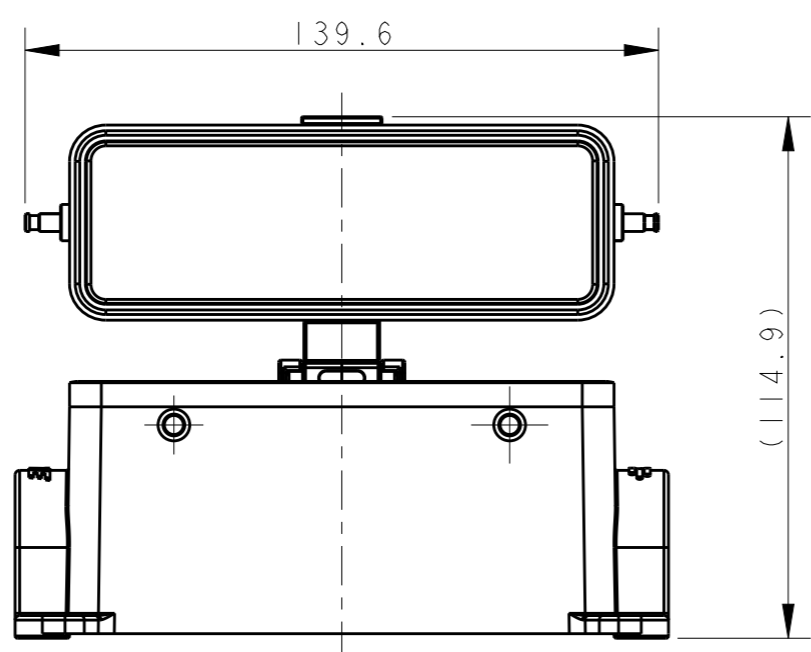
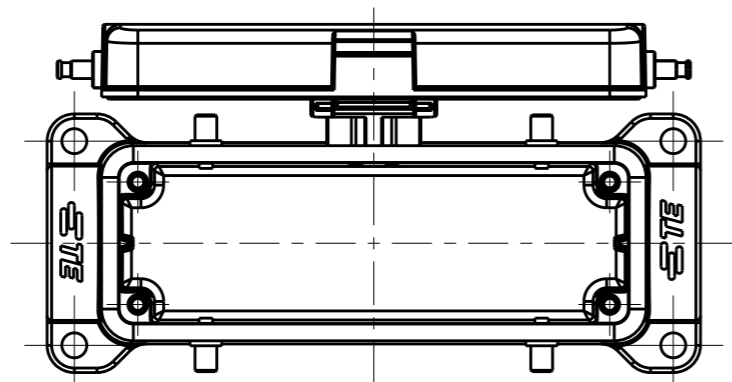
20

© COPYRIGHT 20 BY -

ALL RIGHTS RESERVED.

REVISIONS

P	LTR	DESCRIPTION	DATE	DWN	APVD
-	-	SEE SHEET 1	-	-	-



TYPE 2: BODY + METAL PROTECITON COVER
 OTHER SPEC REFER TO TYPE 1

T1460241121-000	TYPE 2	H24B-SGRM-BO-PG21	PG21	-
T1460241125-000		H24B-SGRM-BO-M25	M25	-
T1460241221-000		H24B-SGRM-BO-2PG21	PG21	PG21
T1460241225-000		H24B-SGRM-BO-2M25	M25	M25
ASSEMBLY PART NUMBER	TYPE	ASSEMBLY PART DESCRIPTION	IG1	IG2

THIS DRAWING IS A CONTROLLED DOCUMENT.

DIMENSIONS:	TOLERANCES UNLESS OTHERWISE SPECIFIED:
mm	
	0 PLC ±-
	1 PLC ±-
	2 PLC ±-
	3 PLC ±-
	4 PLC ±-
	ANGLES ±-
MATERIAL	FINISH
-	-
-	-

DWN	17JUN2015
DAVID LI	
CHK	17JUN2015
CHRIS WANG	
APVD	17JUN2015
XU XIANG	
PRODUCT SPEC	108-137013
APPLICATION SPEC	114-137013
WEIGHT	-
CUSTOMER DRAWING	

TE Connectivity		NAME		H24B-SGRM-BO-PG/M	
		SIZE	CAGE CODE	DRAWING NO	RESTRICTED TO
A3	-	©-T146024XXXX000	-		
SCALE		3:5	SHEET	2 OF 2	REV
					A