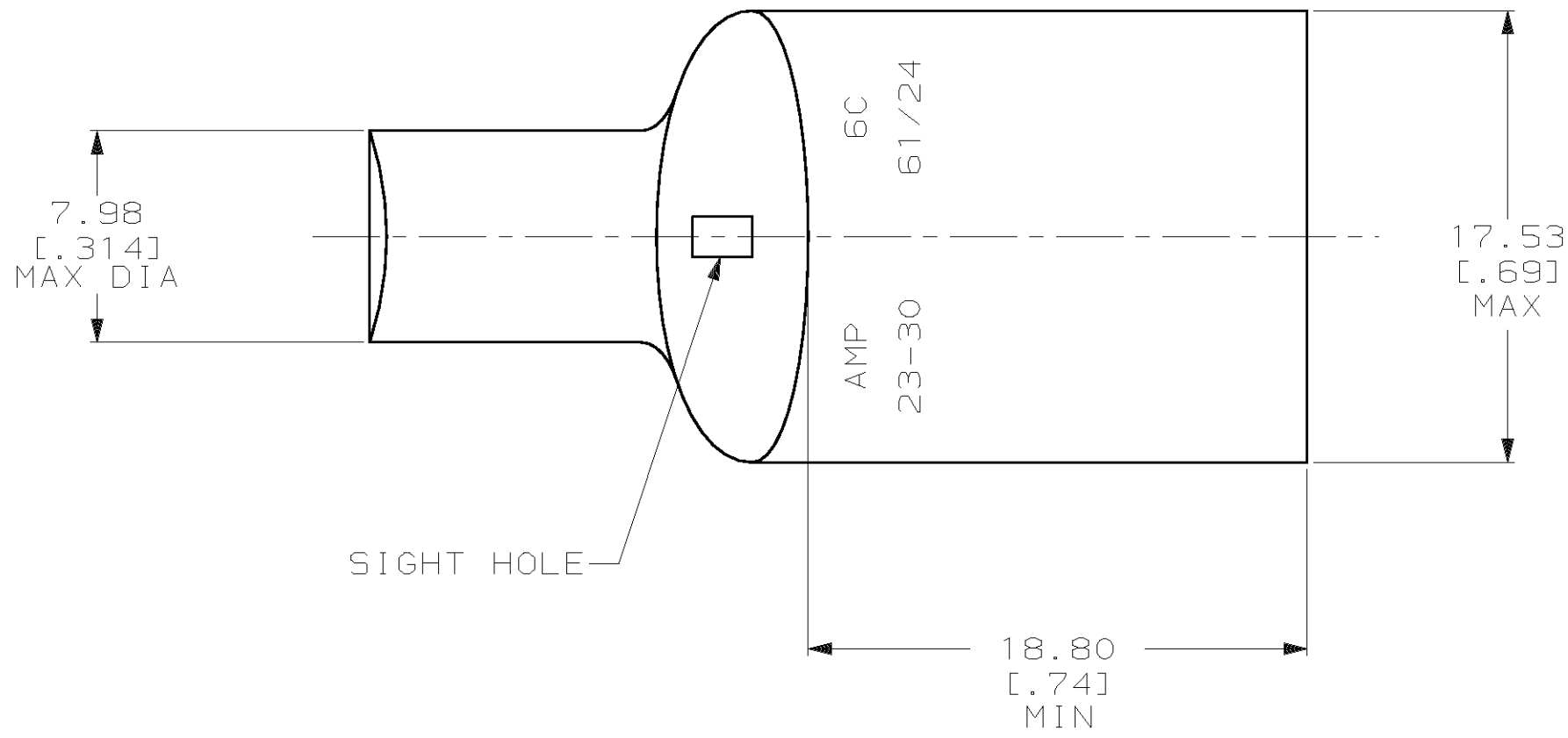
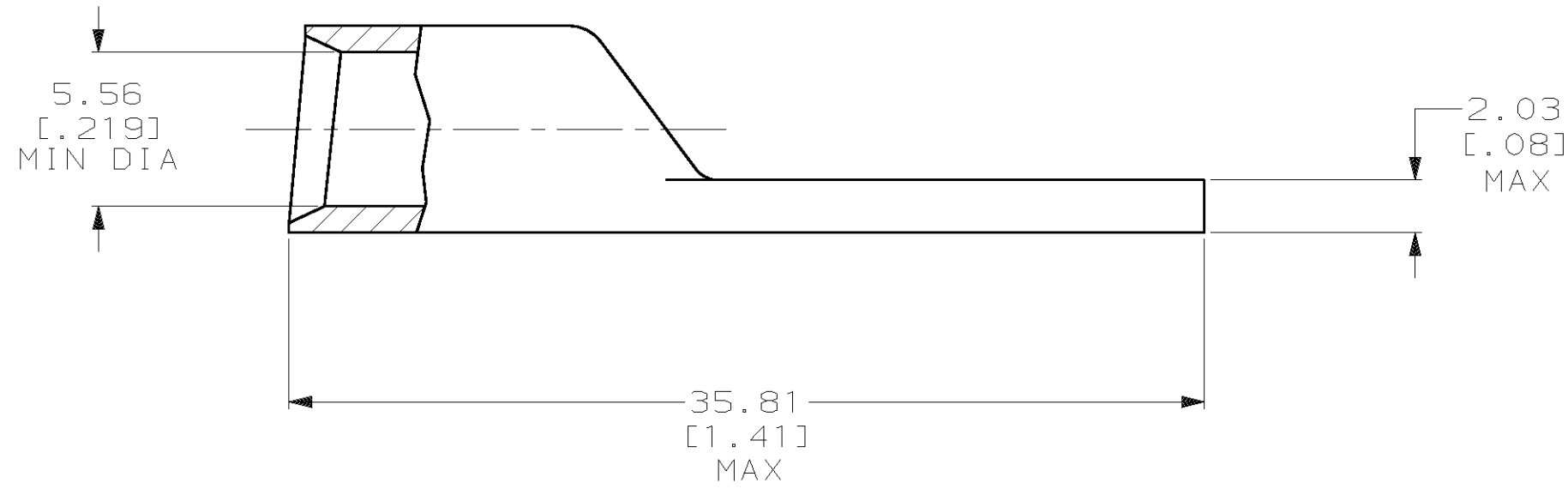


THIS DRAWING IS UNPUBLISHED. RELEASED FOR PUBLICATION  
 © COPYRIGHT 19 BY AMP INCORPORATED. ALL INTERNATIONAL RIGHTS RESERVED.

LOC		DIST		P		F		ZONE		LTR		REVISIONS		DATE	APPD
G		86								5		REV / 0G10-0059-99		26APR99	ME/TM



1 CIRCULAR MIL AREA RANGE: 20,800-33,100 CM  
 2 TIN PL 0.00381 [.000150] THK PER ASTM B 545



328140

A

DO NOT SCALE PRINT. UNLESS SPECIFIED DIMENSIONS IN mm [INCHES] TOLERANCES ON : 2 PLC DEC ± 0.51 [.020] 3 PLC DEC ± - ANGLES ± -		DR 02/28/90 DK 5CHRUM		AMP INCORPORATED Harrisburg, Pa. 17105	
MATERIAL ANNEALED COPPER ASTM B-152		CHK 19JAN95 MS FEHER			
FINISH 		APPD 19JAN95 TL SHUTTER		NAME TERMINAL, AMPPOWER™, WIRE SIZE: 6 AWG	
APPLICATION SPEC -		PRODUCT SPEC 108-30200		SIZE <b>C</b>	CAGE CODE 00779
WEIGHT .017 LB		APPLICATION SPEC -		SCALE 4:1	DRAWING NO 328140
				SHEET 1 OF 1	

