

4

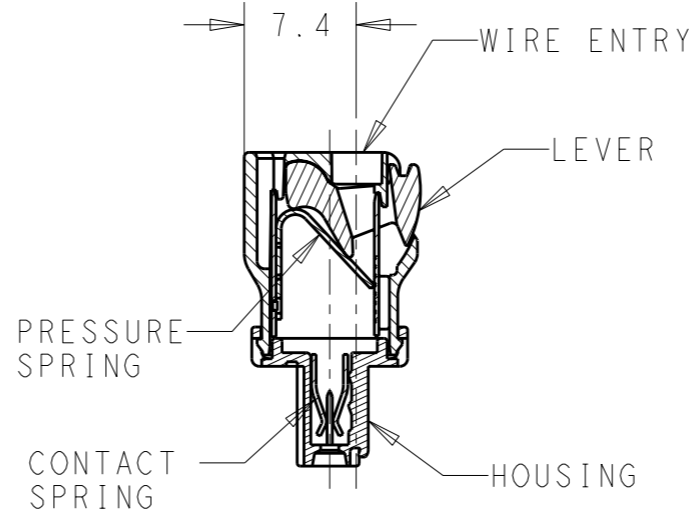
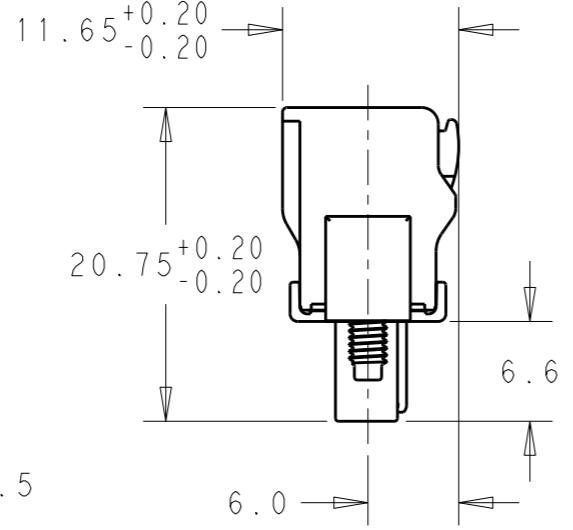
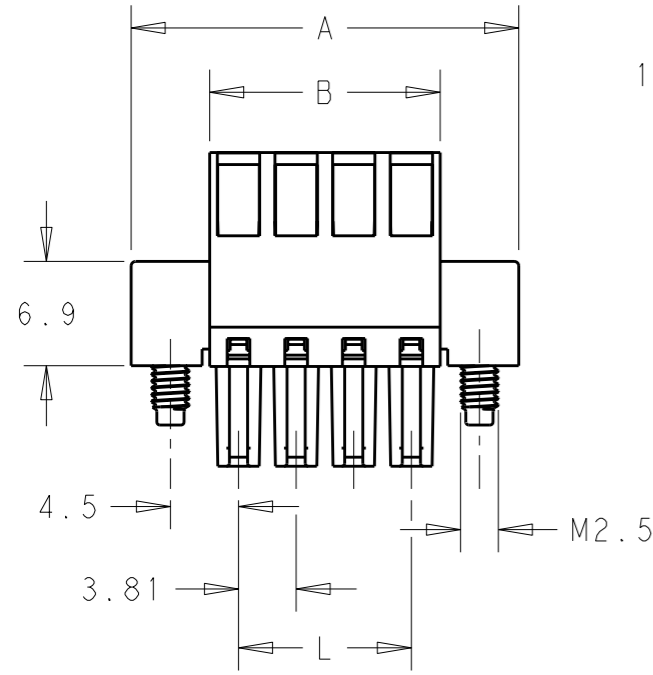
3

2

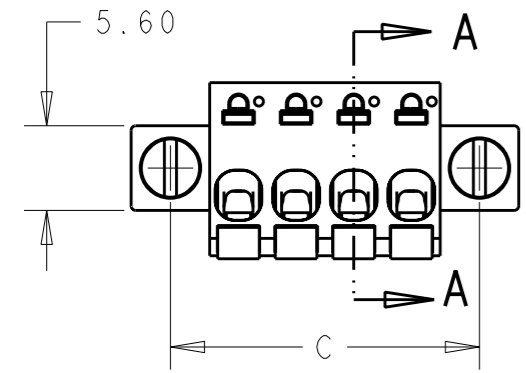
1

THIS DRAWING IS UNPUBLISHED. RELEASED FOR PUBLICATION 2011
 © COPYRIGHT 2011 ALL RIGHTS RESERVED.

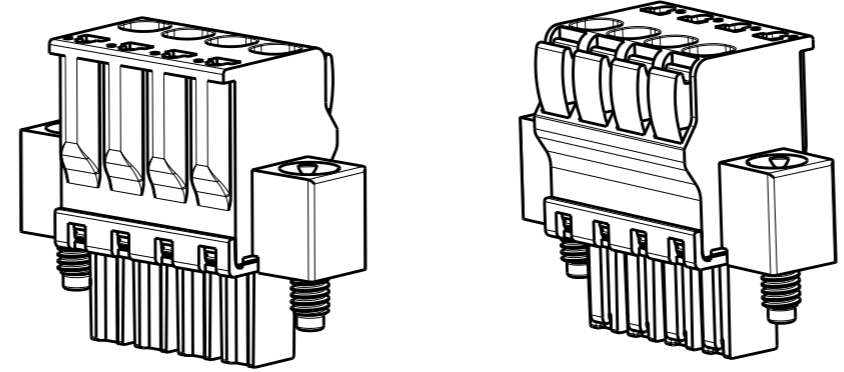
| LOC | DIST | REVISIONS | | | |
|-----|------|-------------|---------------------------|---------|-------|
| P | LTR | DESCRIPTION | DATE | DWN | APVD |
| AI | - | A | REVISED PER ECO-12-002880 | 15FEB12 | KH MS |



SECTION A - A



| | | | | | |
|-------|-------|-------|-------|------|-------------|
| 83.82 | 92.82 | 98.02 | 87.64 | 23 | 2-1986724-3 |
| 80.01 | 89.01 | 94.21 | 83.83 | 22 | 2-1986724-2 |
| 76.20 | 85.20 | 90.40 | 80.02 | 21 | 2-1986724-1 |
| 72.39 | 81.39 | 86.59 | 76.21 | 20 | 2-1986724-0 |
| 68.58 | 77.58 | 82.78 | 72.40 | 19 | 1-1986724-9 |
| 64.77 | 73.77 | 78.97 | 68.59 | 18 | 1-1986724-8 |
| 60.96 | 69.96 | 75.16 | 64.78 | 17 | 1-1986724-7 |
| 57.15 | 66.15 | 71.35 | 60.97 | 16 | 1-1986724-6 |
| 53.34 | 62.34 | 67.54 | 57.16 | 15 | 1-1986724-5 |
| 49.53 | 58.53 | 63.73 | 53.35 | 14 | 1-1986724-4 |
| 45.72 | 54.72 | 59.92 | 49.54 | 13 | 1-1986724-3 |
| 41.91 | 50.91 | 56.11 | 45.73 | 12 | 1-1986724-2 |
| 38.10 | 47.10 | 52.30 | 41.92 | 11 | 1-1986724-1 |
| 34.29 | 43.29 | 48.49 | 38.11 | 10 | 1-1986724-0 |
| 30.48 | 39.48 | 44.68 | 34.30 | 9 | 1986724-9 |
| 26.67 | 35.67 | 40.87 | 30.49 | 8 | 1986724-8 |
| 22.86 | 31.86 | 37.06 | 26.68 | 7 | 1986724-7 |
| 19.05 | 28.05 | 33.25 | 22.87 | 6 | 1986724-6 |
| 15.24 | 24.24 | 29.44 | 19.06 | 5 | 1986724-5 |
| 11.43 | 20.43 | 25.63 | 15.25 | 4 | 1986724-4 |
| 7.62 | 16.62 | 21.82 | 11.44 | 3 | 1986724-3 |
| 3.81 | 12.81 | 18.01 | 7.63 | 2 | 1986724-2 |
| DIM X | DIM C | DIM A | DIM B | POLE | PART NUMBER |



MATERIAL
 HOUSING-POLYAMIDE, COLOR-GREEN
 LEVER-POLYAMIDE, COLOR ORANGE
 CONTACT SPRING-COPPER ALLOY-LEAD FREE TIN PLATED
 CLAMPING SPRING-STEEL

MECHANICAL
 INSERTION FORCE PER POLE- 3 NEWTON MAX
 WITHDRAWAL FORCE PER POLE- 1.5 NEWTON MIN
 STRIPPING LENGTH- 10.5 TO 11.5 MM
 OPERATING TEMPERATURE--40°C TO +110°C

ELECTRICAL
 WIRE SIZE= 30 TO 14 AWG SOLID OR STRANDED
 VOLTAGE RATING- 300 VOLTS
 CURRENT RATING- 11 AMP STRANDED; 9AMP SOLID
 CONTACT RESISTANCE-15 MILLOHM MAX
 INSULATION RESISTANCE-10⁹ OHMS MIN (500V DC)

| | | | | |
|--|--|-------------------------------|---|-----------------|
| THIS DRAWING IS A CONTROLLED DOCUMENT. | | DWN 13JAN2012 KIRAN HOLAL | TE Connectivity | |
| DIMENSIONS: mm | | CHK 13JAN2012 MIKE SARVER | | |
| TOLERANCES UNLESS OTHERWISE SPECIFIED: | | APVD 13JAN2012 MIKE SARVER | NAME STRAIGHT SPRING TYPE PLUG CONNECTOR, RIGHT SIDE, LOCKING W/FLANGES 02 - 23 POLES, PITCH 3.81mm | |
| | | PRODUCT SPEC | RESTRICTED TO | |
| MATERIAL - | | APPLICATION SPEC | SIZE A3 | CAGE CODE 00779 |
| FINISH - | | WEIGHT - | DRAWING NO C-1986724 | |
| | | CUSTOMER DRAWING | SCALE 2:1 | SHEET 1 OF 1 |
| | | | REV A | |