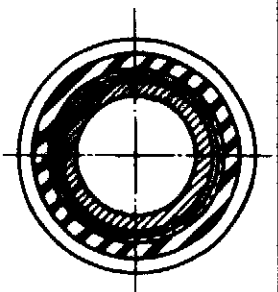
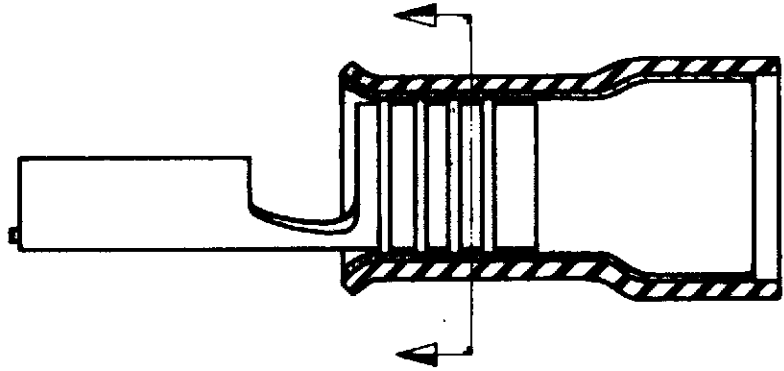
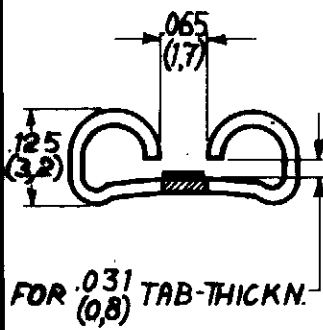
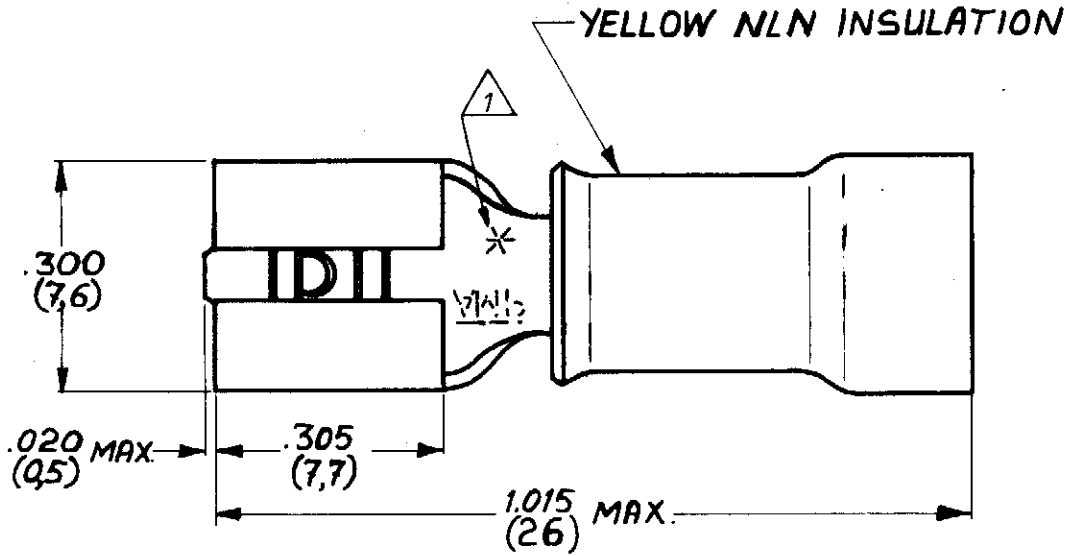


DRAWING MADE IN AMERICAN PROJECTION

P	LTR	DESCRIPTION	DATE	DWN	APVD
	K3	REVISED PER ECO-11-004820	11MAR11	RK	HMR

NUMBER C-160314



- 1 ASTERISK * FOR PH.BRONZE VERSION ONLY.
- 2 OBSOLETE - NO REPLACEMENT
- 3 DIMENSIONS IN () ARE IN MM.

RECEPTACLE MATERIAL THICKN.: ^{.018}(.45)

CUSTOMER COPY FOR REFERENCE ONLY



2-160314-5	160314-5 MOUNTED ON TAPE
160314-8	PH. BRONZE TIN-LEAD
160314-5	PHOS. BRONZE PRE-TINNED
2-160314-2	160314-2 MOUNTED ON TAPE
160314-4	BRASS - GOLD
160314-2	BRASS - TIN
DR. R. N. ISSER 4/4/71	DATE DE DATE
CHK	DATE APP DATE 16.4.72

WIRE-RANGE 4-6 mm ²	INSUL-RANGE 2.50 MAX. DIA (6.3)	Tol ±.015 2 PLC ±(0.38)	SCALE	SIZE A	NO C-160314	REV K3
NAME 250 Ser. PIDG FASTON RECEPTACLE						

INCHES DIMENSIONS IN () DO NOT SCALE PRINT