

MODEL:

SR42BMDEXPNDNR3

SmartRack™ Mid-Depth Rack



42 Rack Units



3000 lb
Stationary
Load Capacity



3000 lb
Rolling
Load Capacity



Heavy-Duty
Casters



Standard 19-inch
Rack Width



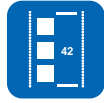
Toolless
Mounting Slots



Adjustable
Rails with
Easy-View
Depth Index



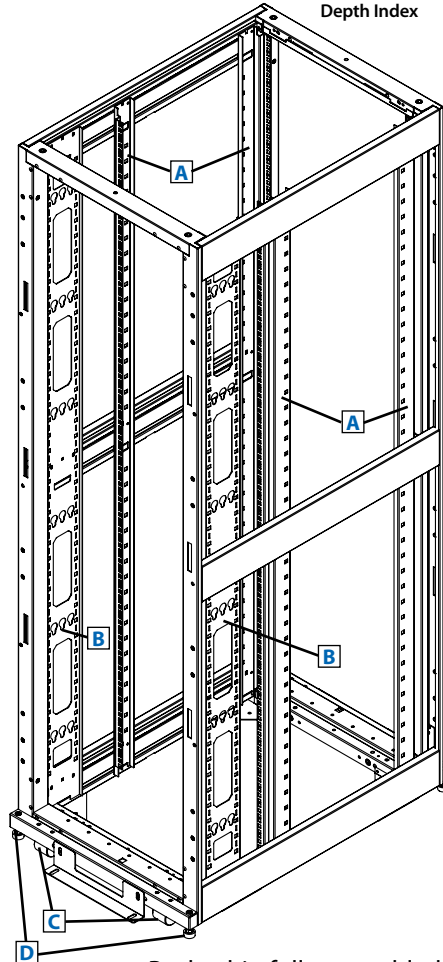
Integrated
Baying Tabs



Square Hole
Mounting

- A** Adjustable Mounting Rails (4)
- B** Adjustable PDU Mounting Rails with Toolless Mounting Slots (2 rails hold up to 4 vertical PDUs.)
- C** Heavy-Duty Casters (4)
- D** Levelers (4)

Also Includes: Owner's manual,
2 shipping/stabilizing brackets and rackmount
equipment mounting hardware (50 cage nuts,
50 mounting screws, 50 nylon cup washers).



- Racks ship fully assembled for rapid deployment, but can be knocked down for easy reassembly in confined spaces
- Modular design optimized for quick configuration and reconfiguration
- Ideal for rackmount server, network and telecom applications

SEE NEXT PAGE FOR DETAILED UNIT MEASUREMENTS

Specifications

Model	SR42BMDEXPNDNR3
Rack Spaces	42U
Stationary Load Capacity	3000 lb (1361 kg)
Rolling Load Capacity	3000 lb (1361 kg)
Unit Dimensions (H x W x D)	78.5 x 23.63 x 36 in (1994 x 600 x 914 mm)
Shipping Dimensions (H x W x D)	83.5 x 26 x 45.5 in (2121 x 660 x 1156 mm)
Unit Weight	101 lb (45.8 kg)
Shipping Weight	136.8 lb (62.1 kg)
Certifications	Tested to: EIA/ECA-310-E, IEC 60297-3-100, DIN 41494, UL 60950, RoHS, NOM

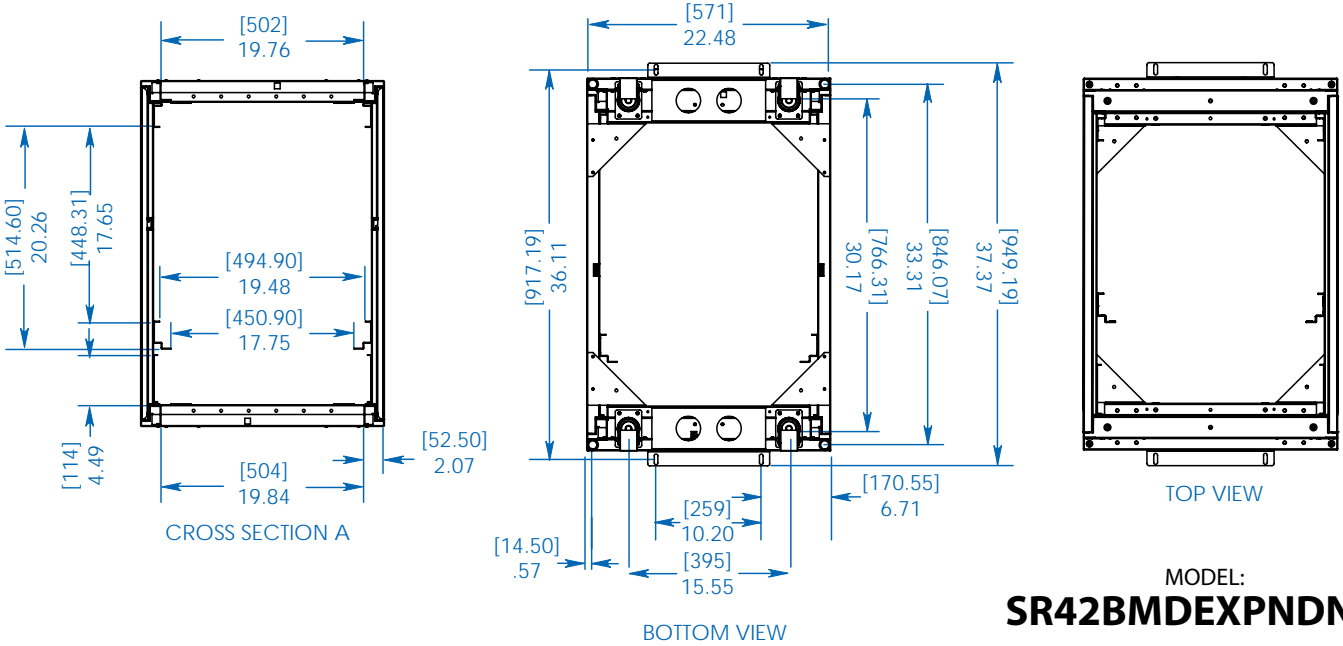
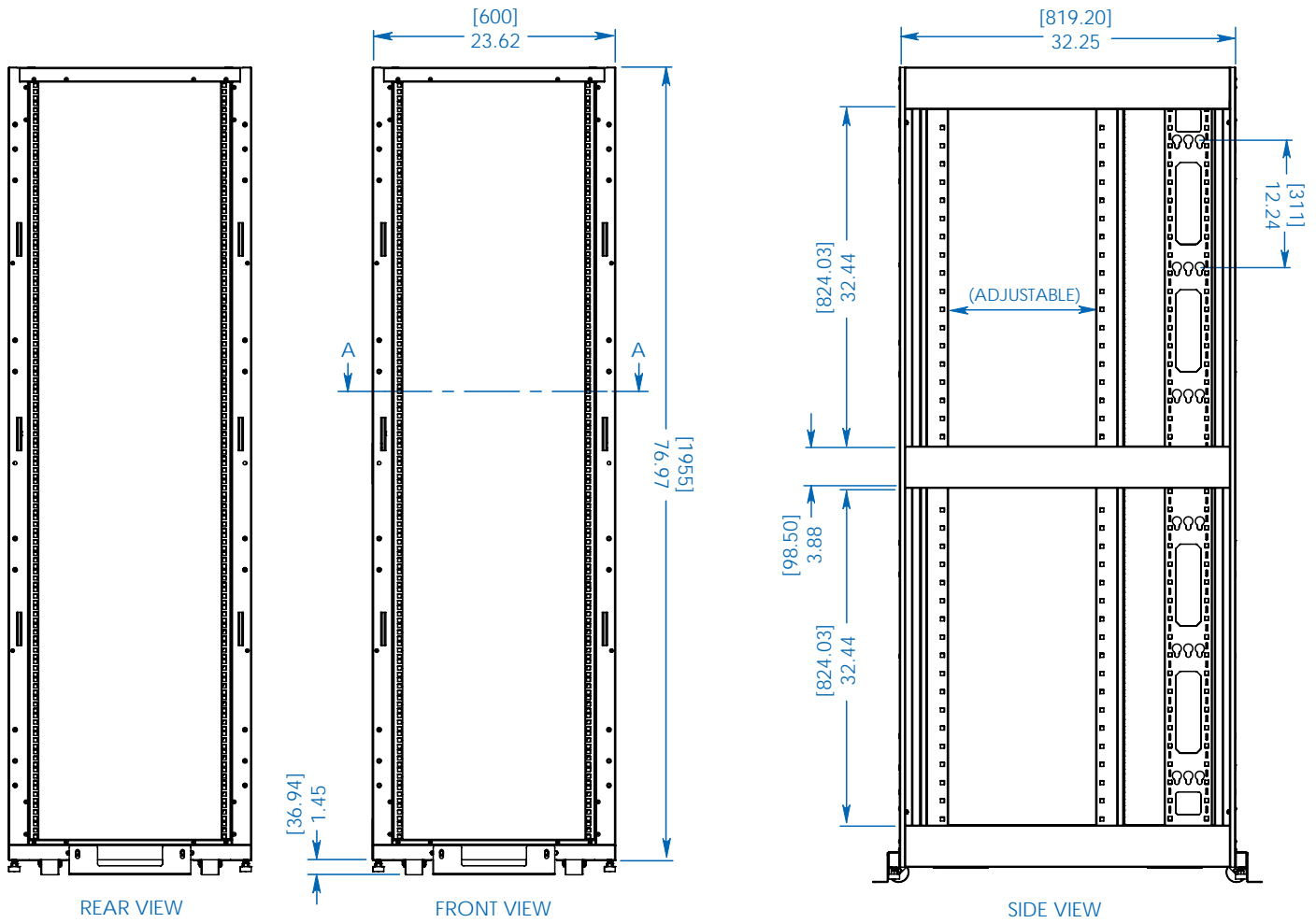
Tripp Lite has a policy of continuous improvement. Specifications are subject to change without notice.



Also Available: Shock pallet models with special packaging to facilitate equipment pre-installation and reshipment to final site. Heavy-duty shock pallet holds up to 1250 lb (567 kg), including the weight of the enclosure and pre-installed equipment. Add "SP1" to model numbers above to order shock pallet models.



1111 W. 35th Street
Chicago, IL 60609 USA
773.869.1234
www.tripplite.com



MODEL:
SR42BMDEXPNDNR3



1111 W. 35th Street
Chicago, IL 60609 USA
773.869.1234
www.tripplite.com

Dimensions: [mm] INCHES

Tripp Lite has a policy of continuous improvement. Specifications are subject to change without notice.