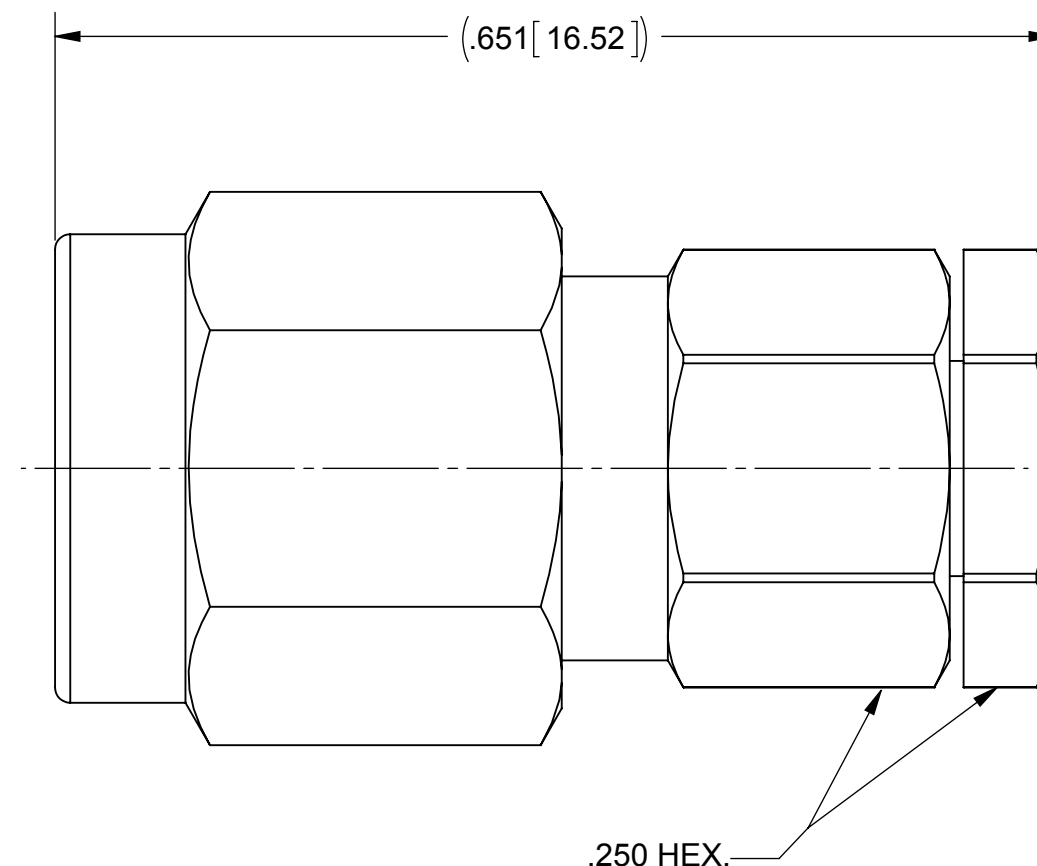
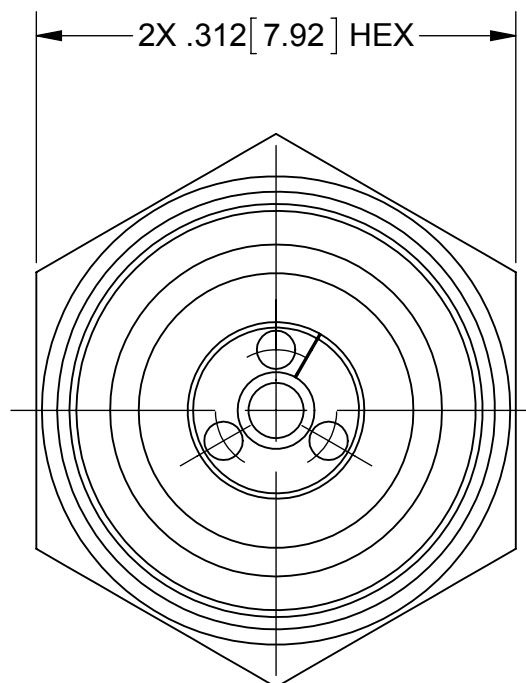
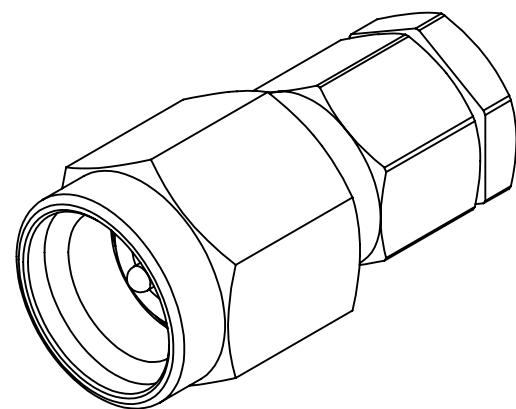


PRODUCT DATA DRAWING

| REVISION HISTORY | | | |
|------------------|-------------|-------|----------|
| REV | DESCRIPTION | DATE | APPROVED |
| - | DCN 40123 | 01/15 | STW |
| A | DCN 41510 | 07/15 | STW |
| B | DCN 41901 | 11/15 | DAL |



MATERIAL:

- BODY, FERRULE, CLAMP NUT, INSERT & COUPLING NUT: STAINLESS STEEL
- LOCK RING & CONTACT: BERYLLIUM COPPER
- BEAD: ULTEM 1000
- GASKET: SILICONE RUBBER

FINISH:

- BODY, INSERT CLAMP NUT & COUPLING NUT: PASSIVATED
- CONTACT & FERRULE: GOLD OVER NICKEL

PERFORMANCE:

- IMPEDANCE: 50 OHMS
- FREQ. RANGE: DC TO 40.0 GHz

| | | | |
|---|---|--|--|
| MATERIAL: SEE NOTES | DIMENSIONS ARE IN INCHES TOLERANCES: FRACTIONAL: ±1/64 ANGULAR: X° ±1°0' X°X' ±15' | UNLESS OTHERWISE SPECIFIED 1) ALL DIMENSIONS ARE IN INCHES (MILLIMETERS) 2) ALL DIMENSIONS ARE AFTER PLATING. 3) BREAK CORNERS & EDGES .005 R. MAX. 4) CHAM. 1ST & LAST THREADS. 5) SURFACE ROUGHNESS 63-MIL-STD-10. 6) DIA: 'S ON COMMON CENTERS TO BE CONCENTRIC WITHIN .005 T.I.R. 7) REMOVE ALL BURRS | Amphenol 2400 Centrepark West Drive, Suite 100 West Palm Beach, FL 33409 |
| FINISH: SEE NOTES | DECIMAL: X ±.030 .XX ±.010 .XXX ±.005 | INTERPRET DIMENSIONS AND TOLERANCES PER ASME Y14.5M - 1994 | |
| SURFACE AREA: N/A | THIRD ANGLE PROJECTION | DRAWN: MAL 08/28/14 | TITLE: SVK STRAIGHT PLUG FOR Ø.047 CABLE |
| PROPRIETARY THE INFORMATION CONTAINED IN THIS DRAWING IS THE SOLE PROPERTY OF SV MICROWAVE, INC. ANY REPRODUCTION IN PART OR AS A WHOLE WITHOUT THE WRITTEN PERMISSION OF SV MICROWAVE, INC IS PROHIBITED. | | CHECKED: STW 08/28/14 | SIZE: B CAGE CODE: 95077 DWG. NO.: SF1511-60069 |
| | | APPROVED: STW 08/28/14 | SCALE: 8:1 SHEET 1 OF 1 |