

PART NAME

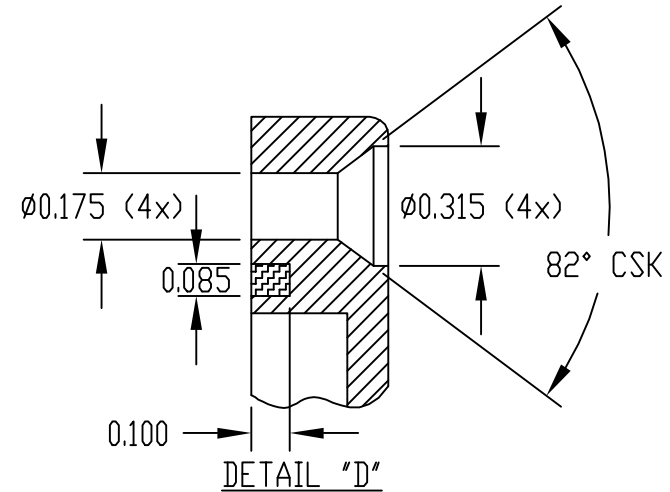
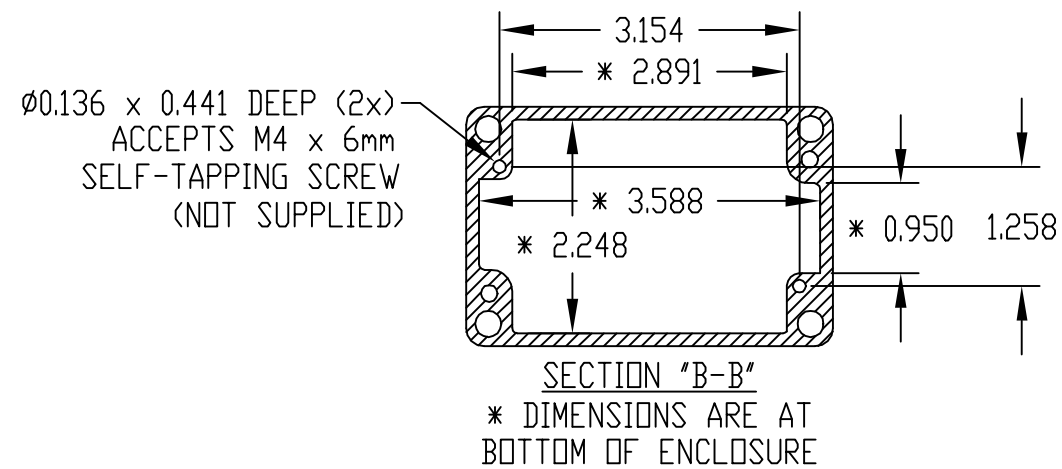
NEMA 4X DIE CAST ALUMINUM ENCLOSURE

PART No.

AN-1312, AN-1312-G, AN-2812 & AN-2812-B

REV. DATE

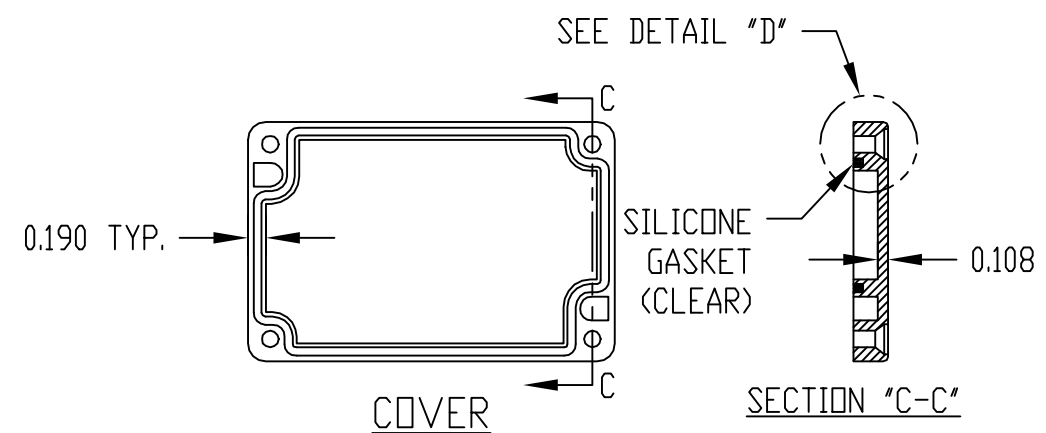
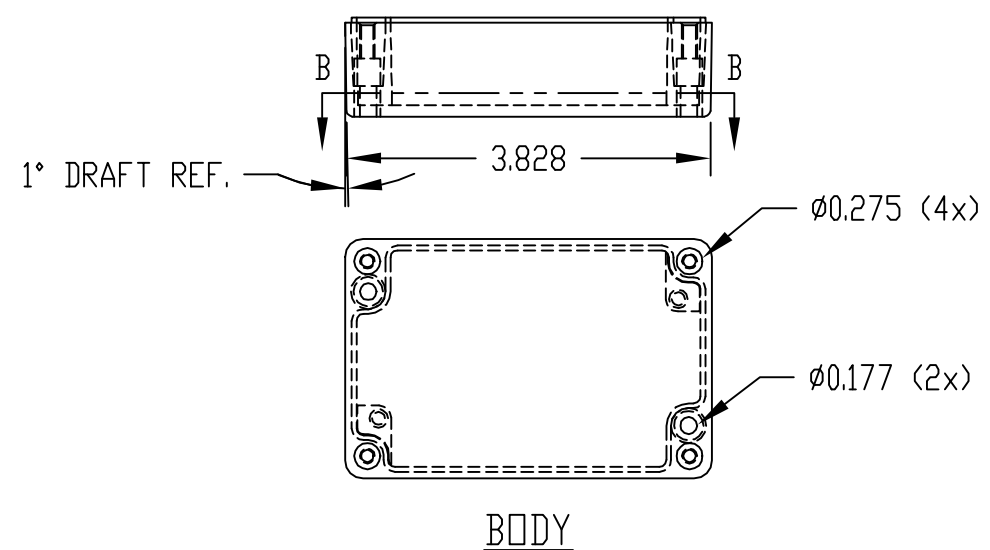
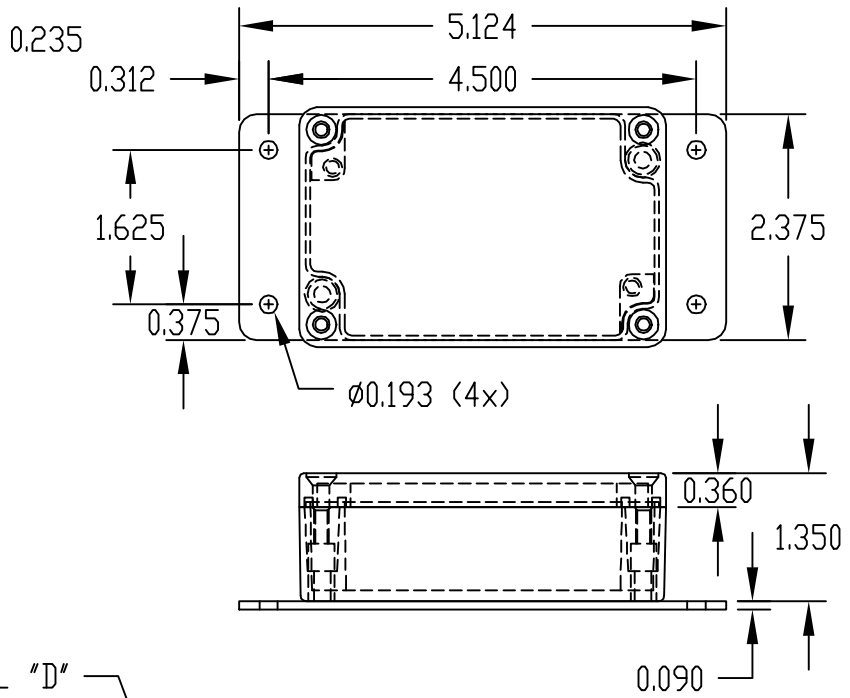
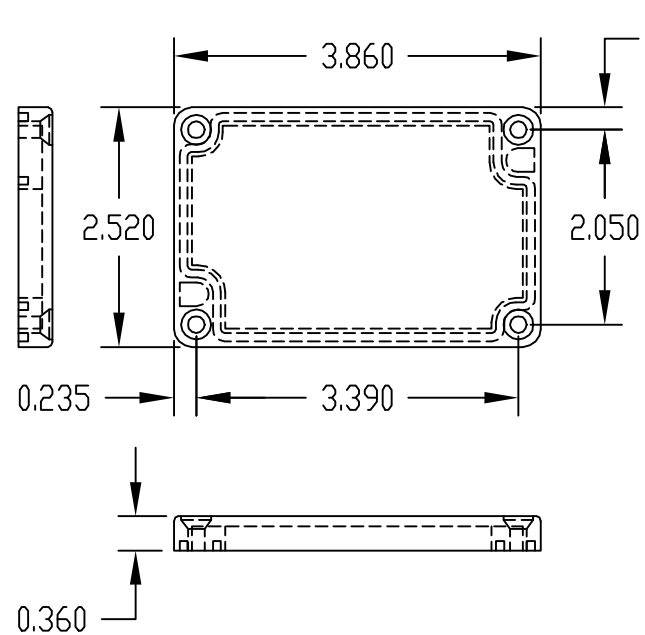
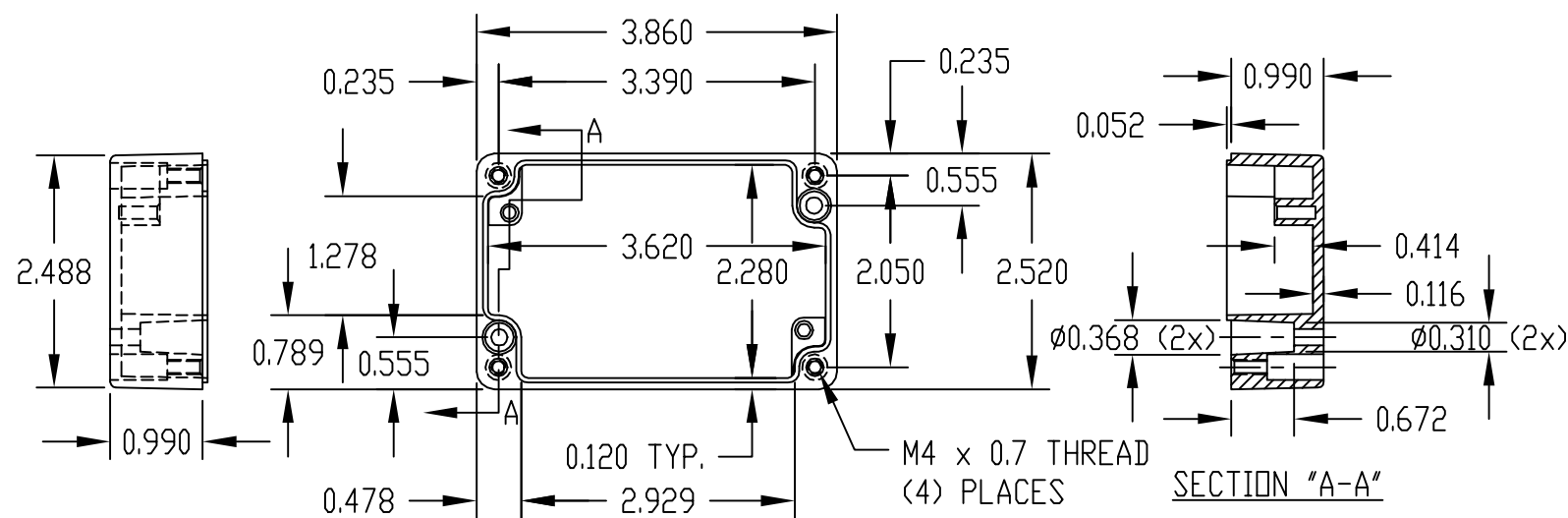
12-17-08



MATERIAL: ALUMINUM ALLOY #ADC-12

FINISH: NATURAL (NO SUFFIX)
GRAY (SUFFIX -G)
SMOOTH BLACK (SUFFIX -B)

- NOTES:
- FOUR (4) M4 x 20mm (0.787") LG. SCREWS SUPPLIED FOR ASSEMBLY OF COVER TO BODY.
 - ALL HOLE DIAMETERS HAVE ±0.005 TOLERANCE
ALL OTHER DIMENSIONS HAVE ±0.015 TOLERANCE



PART NO. AN-2812 & AN-2812-B ARE SUPPLIED WITH A WELDED ON MOUNTING BRACKET ONLY.