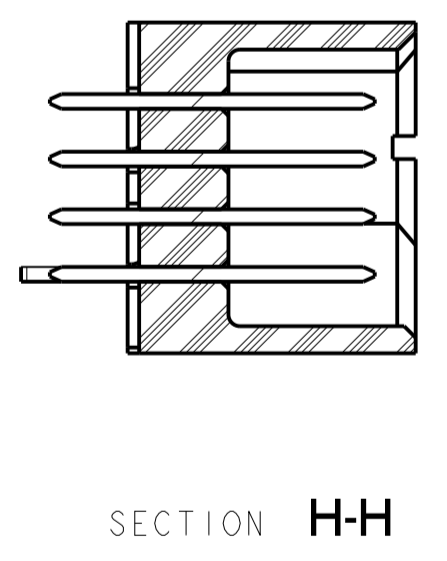
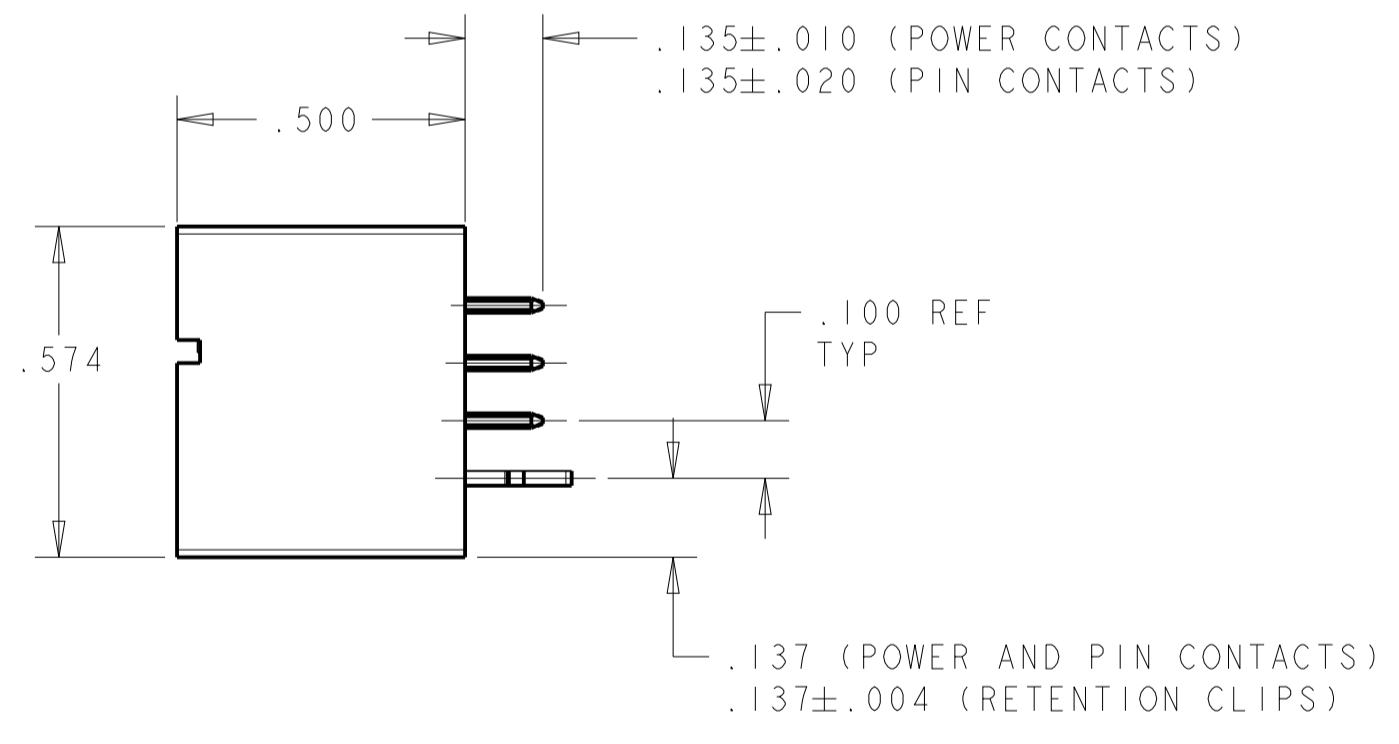
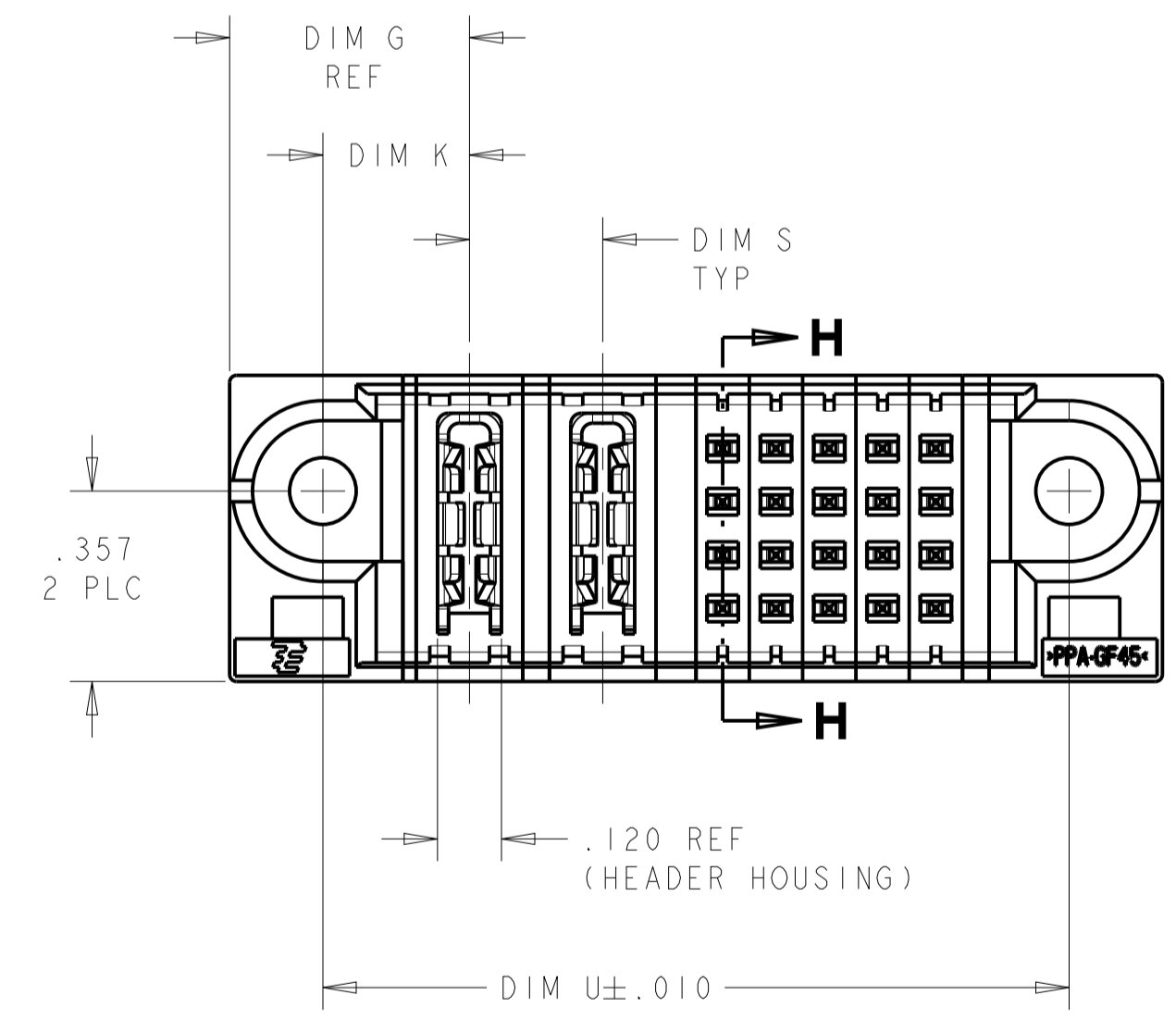
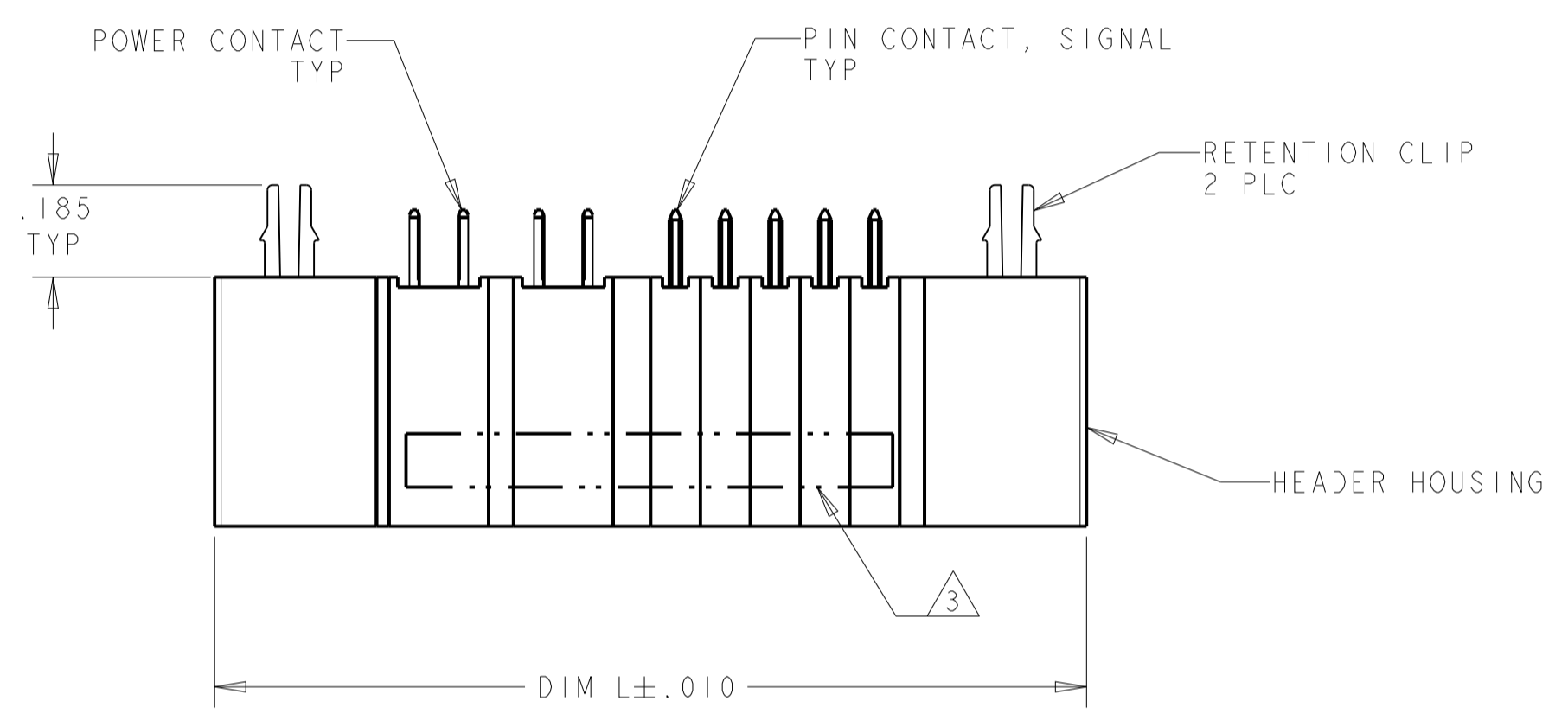
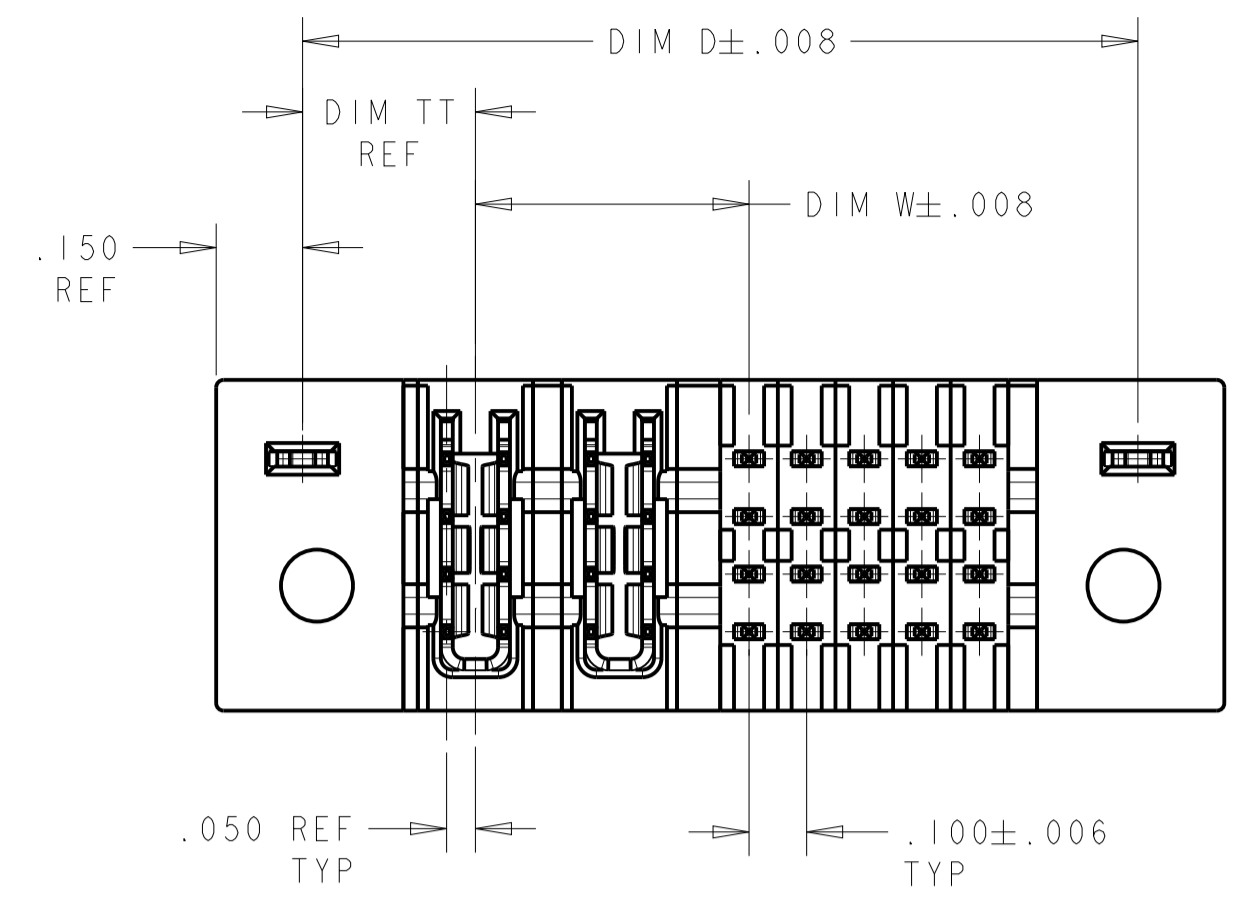


LOC		DIST		REVISIONS			
P	LTN	DESCRIPTION	DATE	DWN	APVD		
H1		ADD NEW PART - 11	14SEP2011	AY	SZ		
H2		REV PER ECR-14-002489	25FEB2014	OL	SZ		



- ① HEADER HOUSING: THERMO PLASTIC, BLACK, UL94 V-0; CONTACTS AND RETENTION CLIPS: COPPER ALLOY.
- ② CONTACT PLATING: NOBLE METAL PLATING ON CONTACT FUNCTIONAL AREA OF POWER AND SIGNAL CONTACTS
RETENTION CLIP: .000115 MIN TIN.
- ③ "AMP", PART NUMBER AND DATE CODE MARKED IN THIS AREA. PARTS UNDER 2.50 LONG MAY BE MARKED ON BOTH SIDES.
- ④ DATUM AND BASIC DIMENSIONS ESTABLISHED BY CUSTOMER.
- ⑤ PCB - ALL HOLE DIAMETERS ARE FINISHED HOLE SIZES.
- ⑥ MECHANICAL CONNECTOR KEEP OUT ZONE.
- ⑦ VARIABLE DIMENSION SHOWED ON TABLE SHEET.

(H1)	(H)	(F1)	DIM "TT"	DIM "W"	DIM "U"	DIM "S"	DIM "L"	DIM "K"	DIM "G"	DIM "D"	RETENTION CLIP	DESCRIPTION	PART NUMBER
			.300	2.425	2.900	.250	3.250	.275	.450	2.950	YES	10P + 4S	1-6600310-1
			.300	.425	1.000	.250	1.350	.275	.450	1.050	YES	2P + 8S	1-6600310-0
			.300	.425	1.100	.250	1.450	.275	.450	1.150	YES	2P + 12S	6600310-9
			.375	2.150	3.225	⑦	3.575	.350	.525	3.275	YES	3ACP + 6P + 24S	6600310-8
			.300	.425	1.200	.250	1.550	.275	.450	1.250	YES	2P + 16S	6600310-7
			.325	1.825	2.825	①	3.175	.300	.475	2.875	YES	3ACP + 4P + 24S	6600310-5
			.325	1.900	2.550	①	2.900	.300	.475	2.600	YES	3ACP + 4P + 8S	6600310-4
			.300	.925	2.100	.250	2.450	.275	.450	2.150	YES	4P + 32S	6600310-3
			.325	1.500	2.250	.250	2.600	.300	.475	2.300	YES	6P + 12S	6600310-2
			.300	.175	1.450	-	1.800	.275	.450	1.500	YES	1P + 36S	6600310-1

THIS DRAWING IS A CONTROLLED DOCUMENT.

DIMENSIONS: INCH

TOLERANCES UNLESS OTHERWISE SPECIFIED:

0 PLC	±
2 PLC	±
3 PLC	±
4 PLC	±0.005
ANGLES	±

MATERIAL: FINISH:

THIS DRAWING IS A CONTROLLED DOCUMENT. DWN: D. RINGLER 18MAR2006, CHK: M. PERCHERKE 18MAR2006, APVD: M. PERCHERKE 18MAR2006

NAME: VERTICAL HEADER ASSEMBLY W/GUIDES, SOLDER TAIL, TYPE PS, MULTI-BEAM XL

PRODUCT SPEC: 108-1973

APPLICATION SPEC: 114-13038

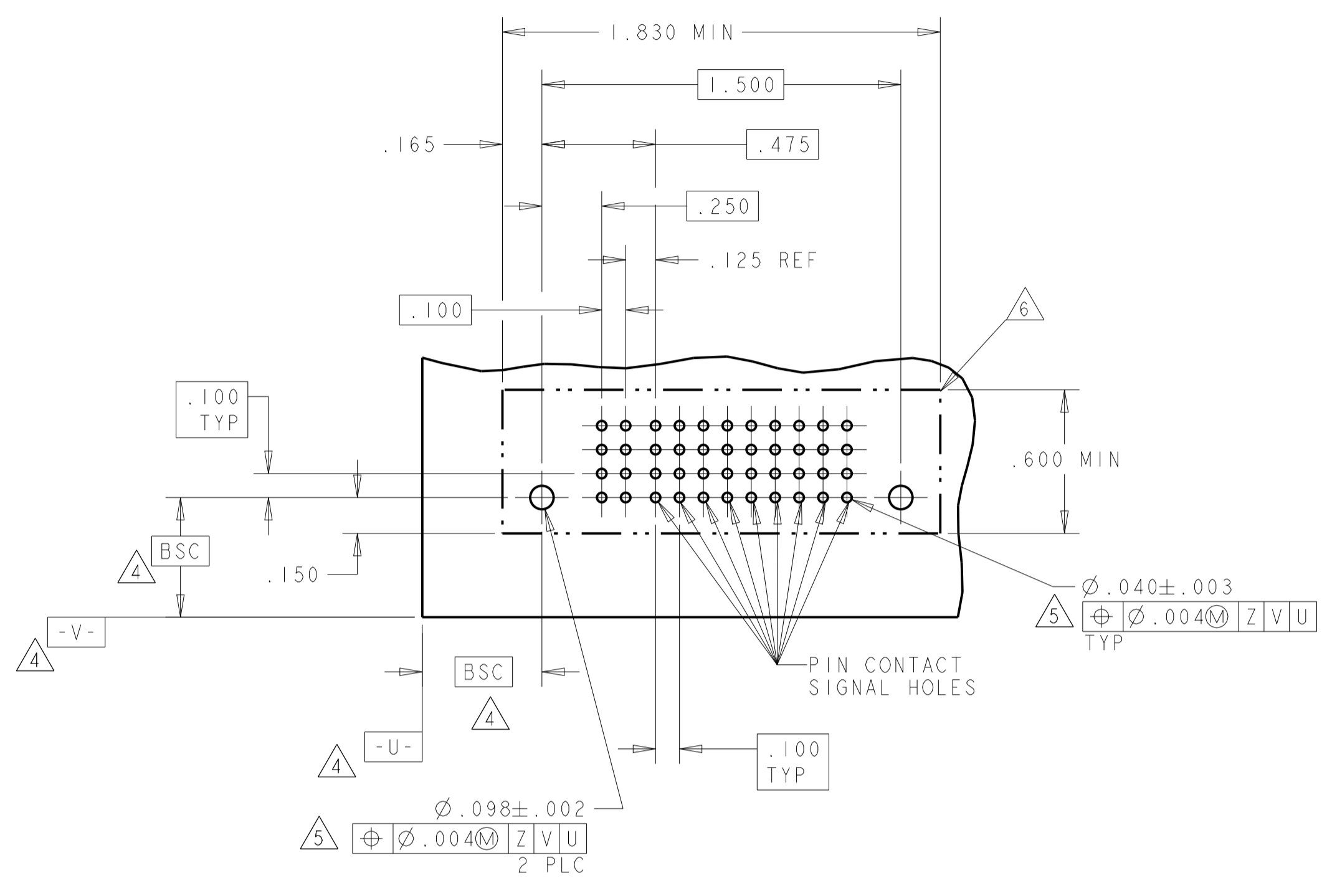
SIZE: A1, CAGE CODE: 6600310, DRAWING NO: 100779, RESTRICTED TO: -

CUSTOMER DRAWING, SCALE: 3:1, SHEET: 1 OF 5, REV: H2

LOC	DIST	REV	DATE	BY	APPV
ES	00				

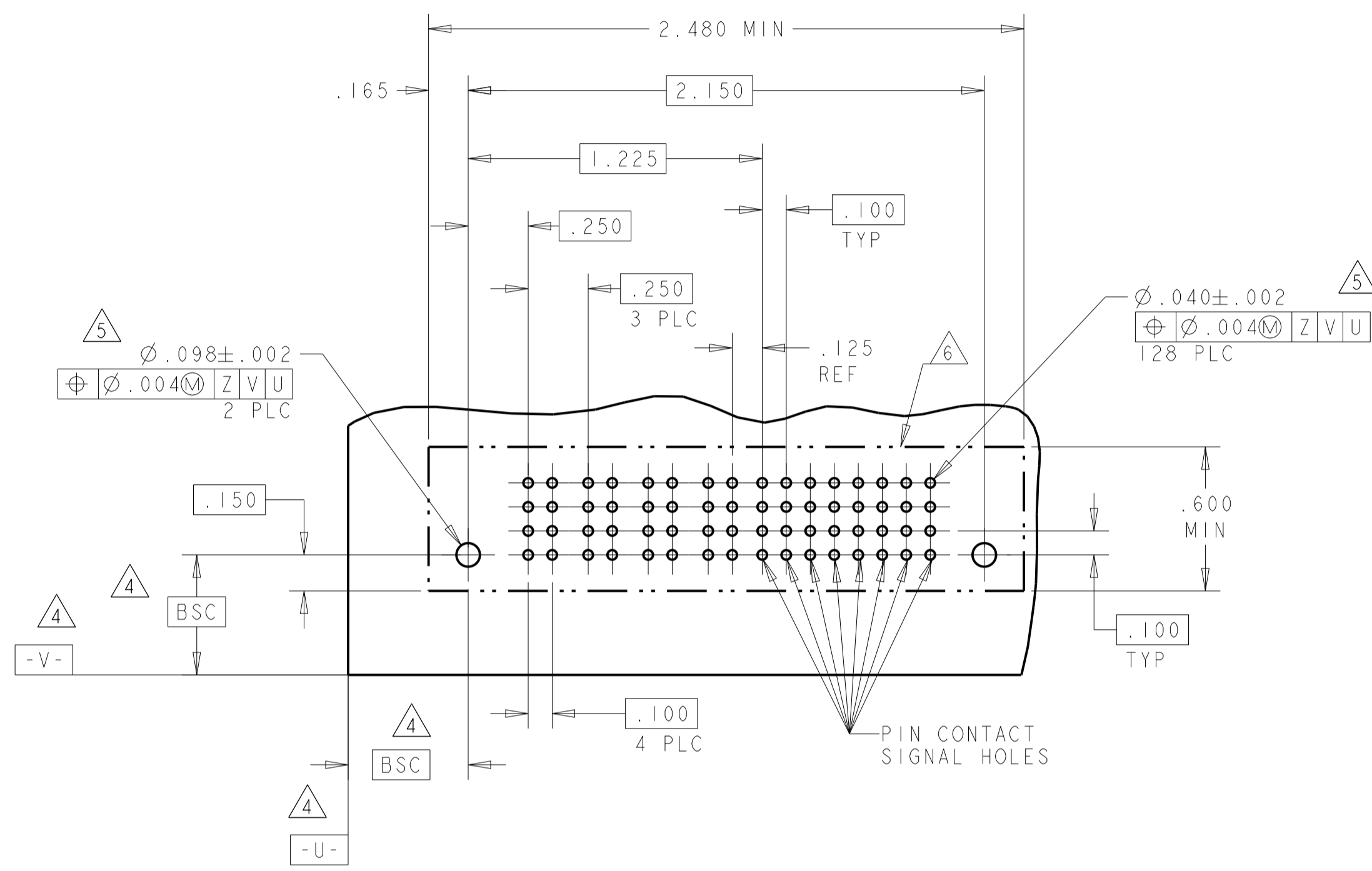
REVISIONS					
REV	DATE	DESCRIPTION	BY	APPV	
-	-	SEE SHEET 1	-	-	-

PART NUMBER	ROWS	POWER						SIGNAL					
		PI	1	2	3	4	5	6	7	8	9		
6600310-1	D	SZ	SV	SV	SV	SV	SV	SV	SV	SV	SV	SV	SV
	C		SV	SV	SV	SV	SV	SV	SV	SV	SV	SV	SV
	B		SV	SV	SV	SV	SV	SV	SV	SV	SV	SV	SV
	A		SV	SV	SV	SV	SV	SV	SV	SV	SV	SV	SV
IP+36S	HD												



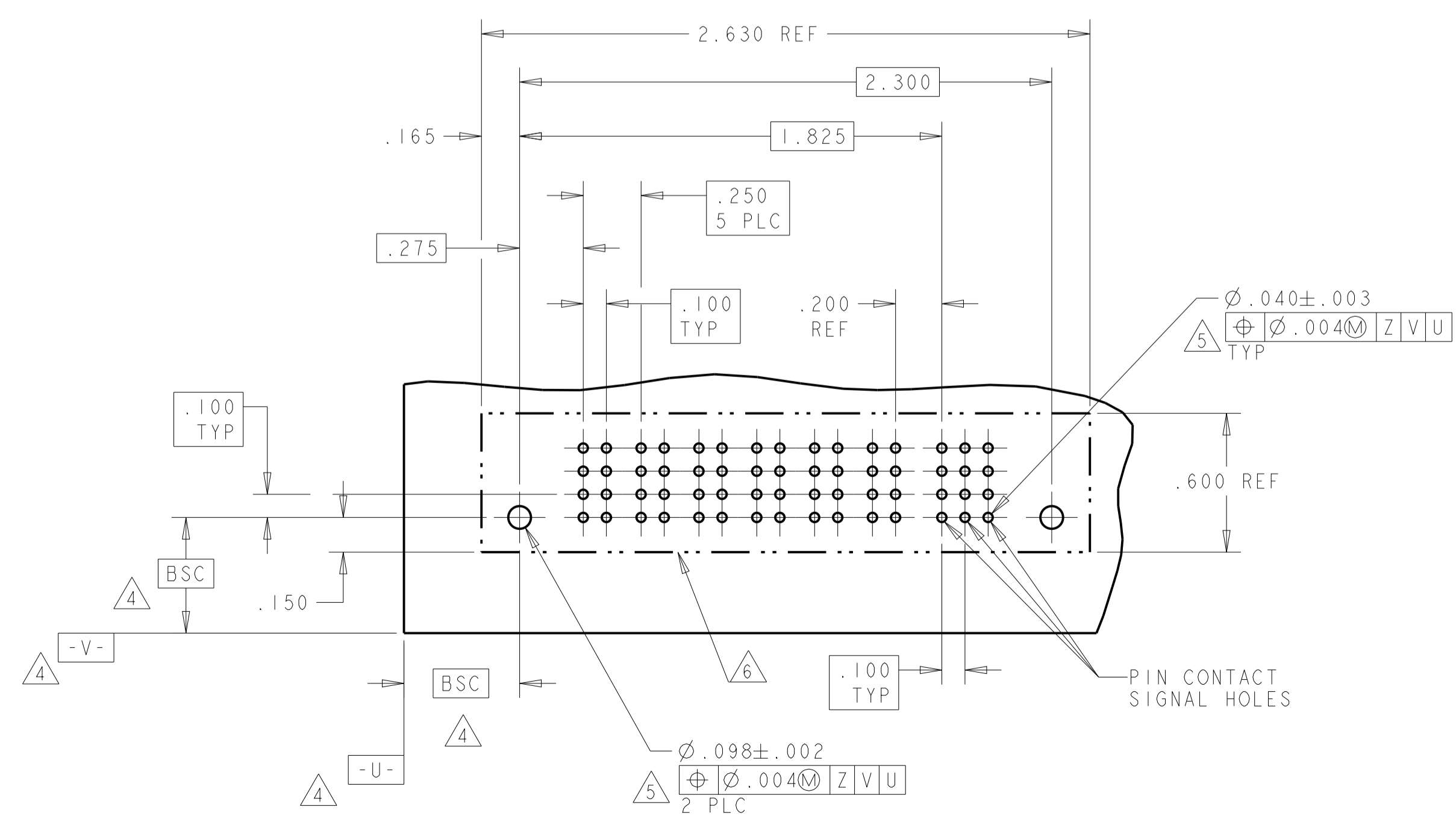
RECOMMENDED PCB LAYOUT 6600310-1
SCALE 2:1

PART NUMBER	ROWS	POWER				SIGNAL									
		PI	P2	P3	P4	1	2	3	4	5	6	7	8		
6600310-3	D	SZ	SZ	SZ	SZ	SV	SV	SV	SV	SV	SV	SV	SV	SV	
	C					SV	SV	SV	SV	SV	SV	SV	SV	SV	SV
	B					SV	SV	SV	SV	SV	SV	SV	SV	SV	SV
	A					SV	SV	SV	SV	SV	SV	SV	SV	SV	SV
4P+32S	HD														



RECOMMENDED PCB LAYOUT 6600310-3
SCALE 2:1

PART NUMBER	ROWS	POWER						SIGNAL		
		P1	P2	P3	P4	P5	P6	1	2	3
6600310-2	D	SZ	SZ	SZ	SZ	SZ	SZ	SV	SV	SV
	C							SV	SV	SV
	B							SV	SV	SV
	A							SV	SV	SV
6P+12S	HD									



RECOMMENDED PCB LAYOUT 6600310-2
SCALE 2:1

MATING SEQUENCE	DESCRIPTION	IDENTIFIER
-	RETENTION CLIP	HD
MLBF	SIGNAL CONTACT	SS
STANDARD	SIGNAL CONTACT	SV
-	POWER CONTACT	SZ

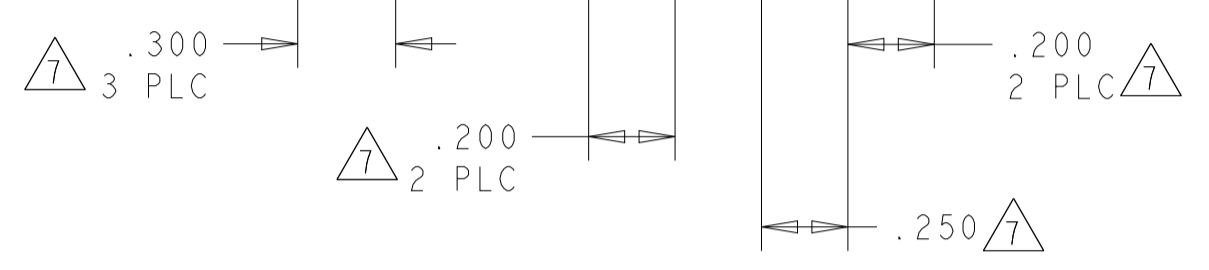
THIS DRAWING IS A CONTROLLED DOCUMENT.

DIMENSIONS:	TOLERANCES UNLESS OTHERWISE SPECIFIED:	OWN: D. RINGLER 18MAR2006	CHK: M. PERCHERKE 18MAR2006	APV: M. PERCHERKE 18MAR2006
INCH	0 PLC ± 2 PLC ± 3 PLC ± 4 PLC ±0.005 ANGLES ±	PRODUCT SPEC: 108-1973	APPLICATION SPEC: 114-13038	WEIGHT: -
MATERIAL: -	FINISH: -	SIZE: A1	CAGE CODE: -	DRAWING NO: 6600310
CUSTOMER DRAWING		SCALE: 3:1	SHEET: 2 OF 5	REV: H2

TE TE Connectivity
 NAME: VERTICAL HEADER ASSEMBLY W/GUIDES, SOLDER TAIL, TYPE PS, MULTI-BEAM XL

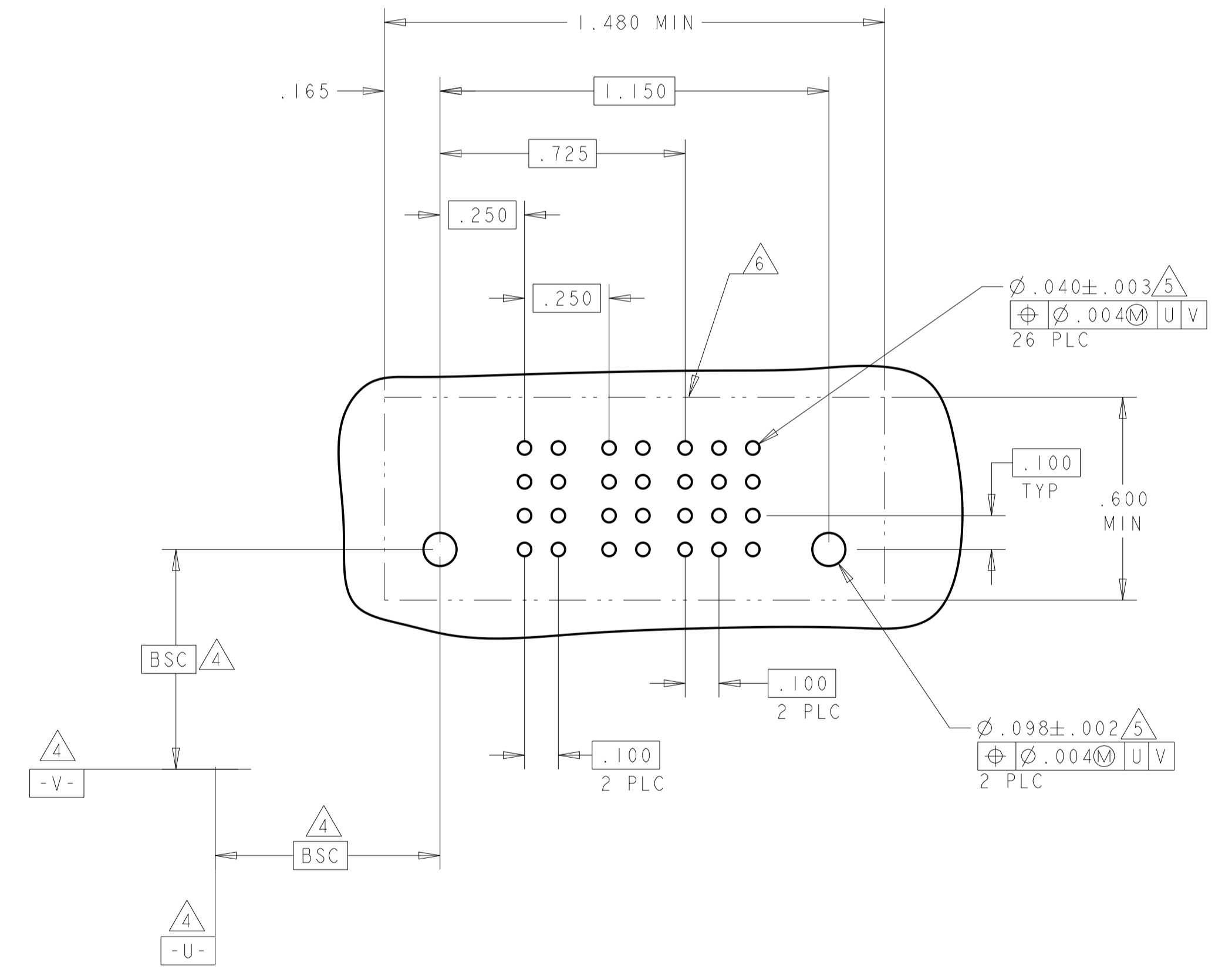
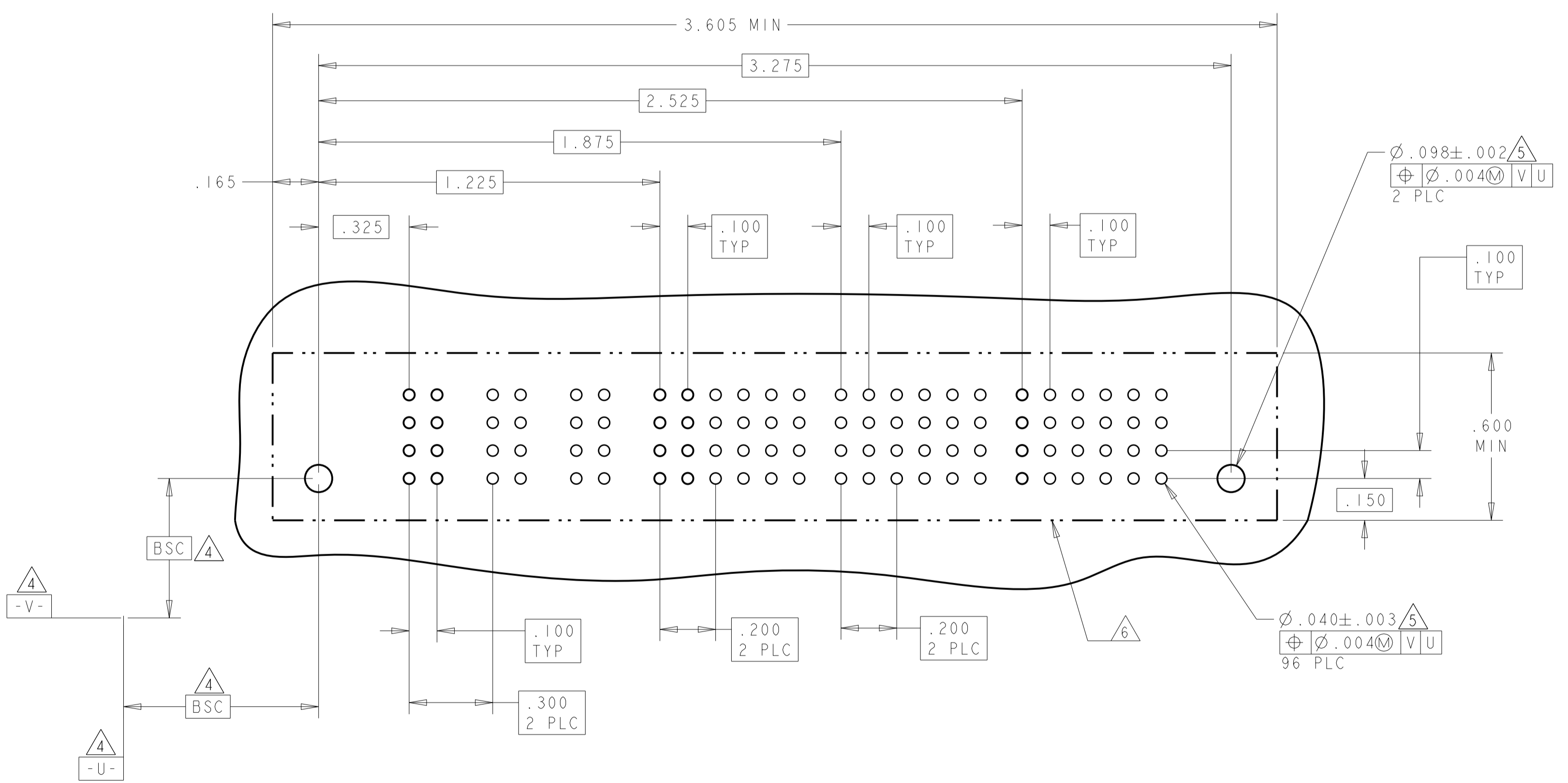
LOC	DIST	REVISIONS			
P	LTN	DESCRIPTION	DATE	DMN	APVD
-	-	SEE SHEET 1	-	-	-

PART NUMBER	ROWS	POWER									SIGNAL					
		P1	P2	P3	P4	P5	P6	P7	P8	P9	1	2	3	4	5	6
6600310-8	D	SZ	SZ	SZ	SZ	SZ	SZ	SZ	SZ	SZ	SV	SS	SV	SV	SV	SS
	C										SV	SV	SV	SV	SS	SS
	B										SV	SV	SV	SV	SS	SS
	A										SV	SV	SV	SV	SS	SV
3ACP + 6P + 24S																



PART NUMBER	ROWS	POWER		SIGNAL		
		P1	P2	1	2	3
6600310-9	D	SZ	SZ	SV	SV	SV
	C			SV	SV	SV
	B			SV	SV	SV
	A			SV	SV	SV
2P+12S		HD		HD		

(F1)

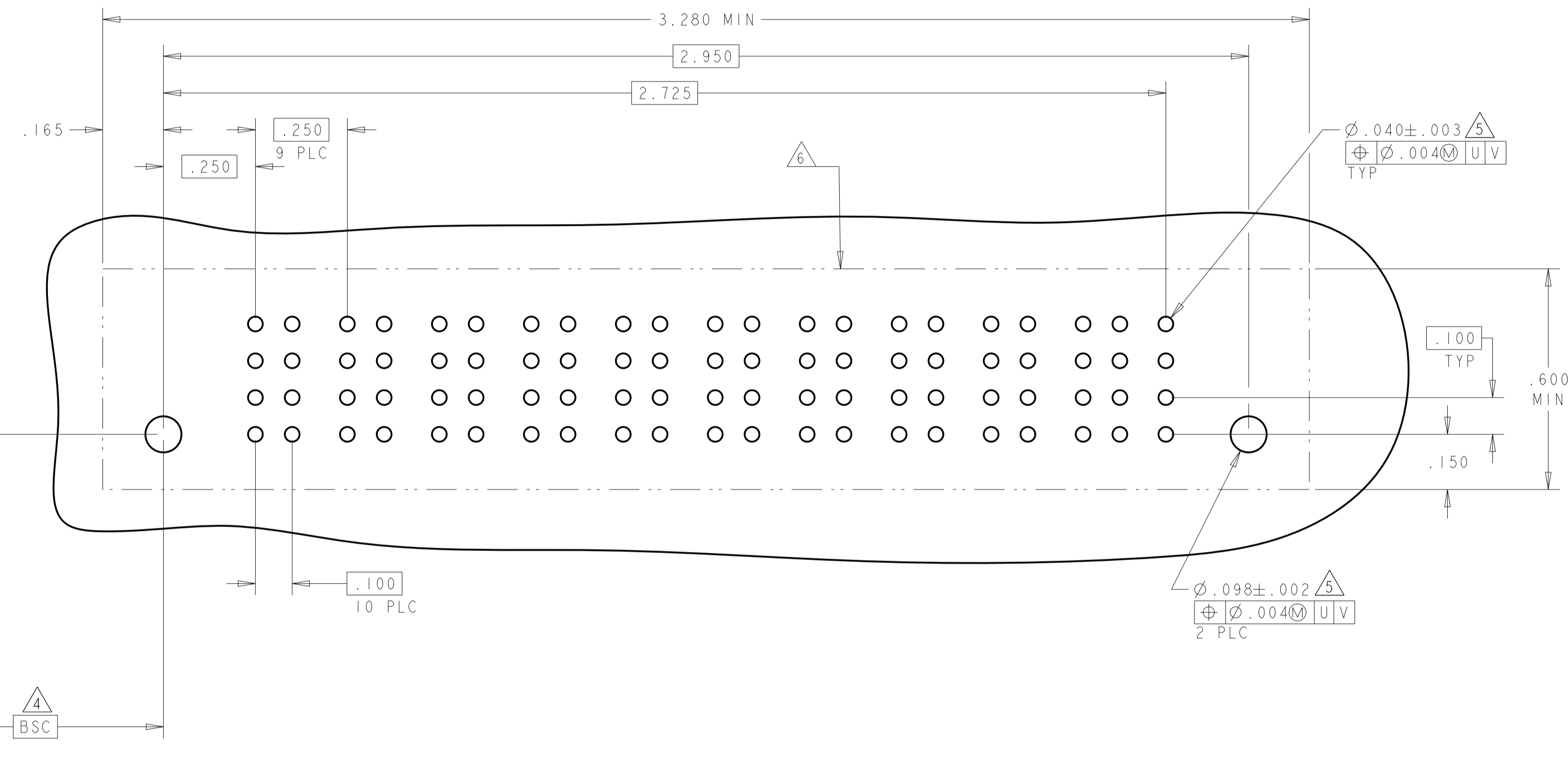
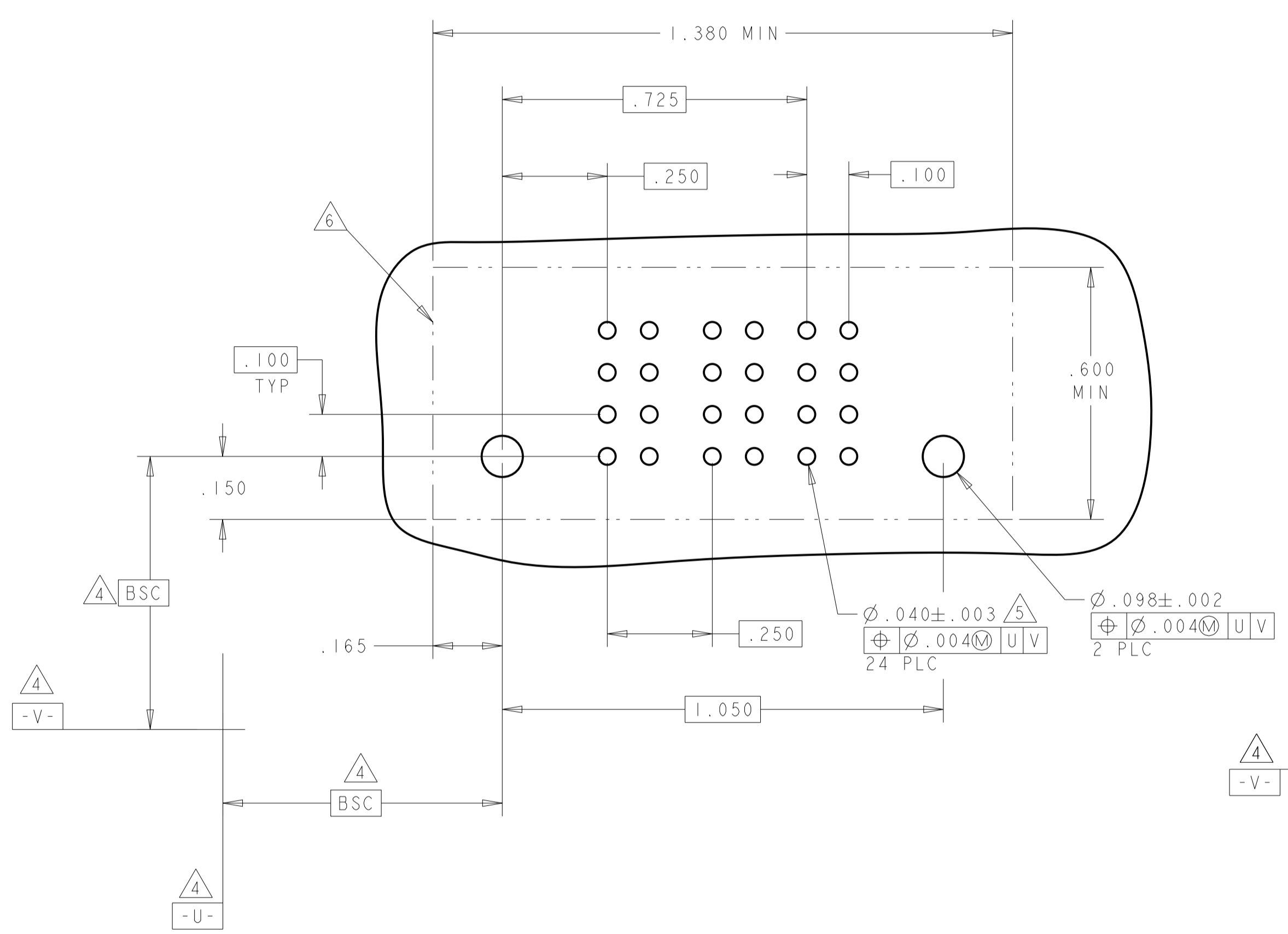


THIS DRAWING IS A CONTROLLED DOCUMENT.		DMN: D. RINGLER 18MAR2006	TE Connectivity
DIMENSIONS: INCH		CHK: M. PERCHERKE 18MAR2006	
TOLERANCES UNLESS OTHERWISE SPECIFIED:		APVD: M. PERCHERKE 18MAR2006	NAME: VERTICAL HEADER ASSEMBLY W/GUIDES, SOLDER TAIL, TYPE PS, MULTI-BEAM XL
0 PLC ± 1 PLC ± 2 PLC ± 3 PLC ±0.005 4 PLC ± ANGLES ±		PRODUCT SPEC: 108-1973	SIZE: A1
MATERIAL: FINISH:		APPLICATION SPEC: 114-13038	CAGE CODE: 6600310
		WEIGHT:	RESTRICTED TO:
		CUSTOMER DRAWING	SCALE: 3:1 SHEET 4 OF 5 REV: H2

LOC	DIST	REV	DATE	BY	APPV
ES	00				
REVISIONS					
DESCRIPTION			DATE	BY	APPV
SEE SHEET 1					

PART NUMBER	ROWS	POWER		SIGNAL	
		P1	P2	I	2
I-6600310-0	D	SZ	SZ	SV	SV
	C			SV	SV
	B			SV	SV
	A			SV	SV
2P+8S		HD			HD

PART NUMBER	ROWS	POWER										SIGNAL
		P1	P2	P3	P4	P5	P6	P7	P8	P9	P10	I
I-6600310-1	D	SZ	SZ	SZ	SZ	SZ	SZ	SZ	SZ	SZ	SZ	SV
	C											SV
	B											SV
	A											SV
10P+4S		HD										HD



THIS DRAWING IS A CONTROLLED DOCUMENT.

DIMENSIONS: INCH	TOLERANCES UNLESS OTHERWISE SPECIFIED: 0 PLC ± 2 PLC ± 3 PLC ±0.005 4 PLC ± ANGLES ±	FINISH: -	OWN: D. RINGLER 18MAR2006 CHK: M. PERCHERKE 18MAR2006 APPV: M. PERCHERKE 18MAR2006	NAME: VERTICAL HEADER ASSEMBLY W/GUIDES, SOLDER TAIL, TYPE PS, MULTI-BEAM XL
MATERIAL: -	FINISH: -	WEIGHT: -	PRODUCT SPEC: 108-1973 APPLICATION SPEC: 114-13038	SIZE: A100779 CAGE CODE: C=6600310
CUSTOMER DRAWING			SCALE: 3:1	SHEET 5 OF 5

TE Connectivity