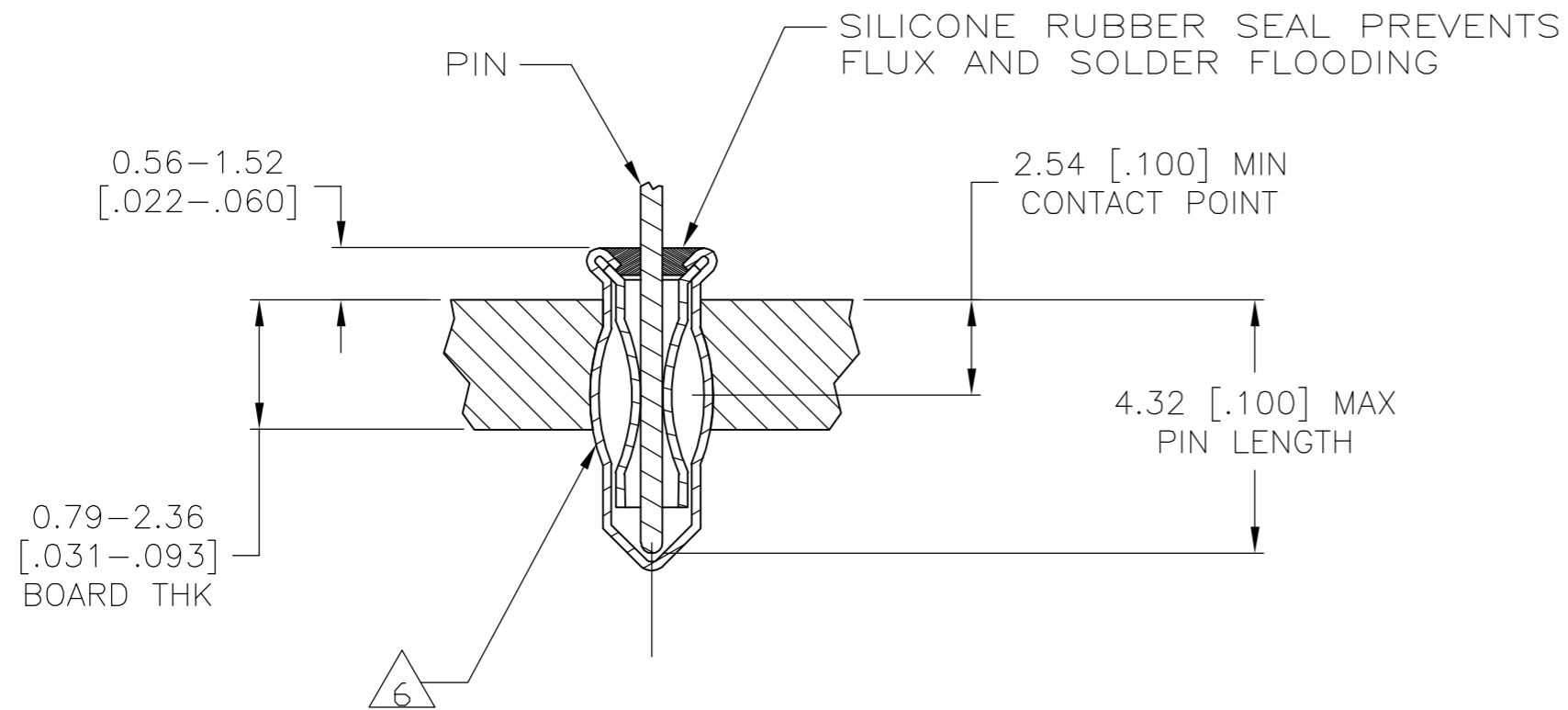
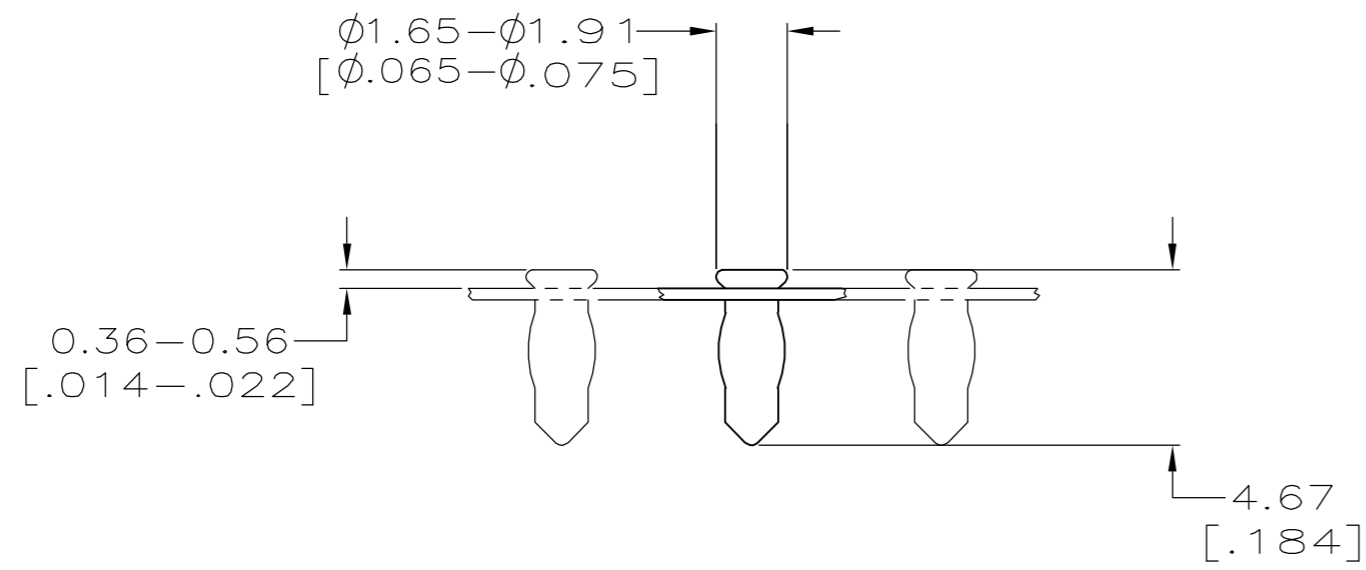
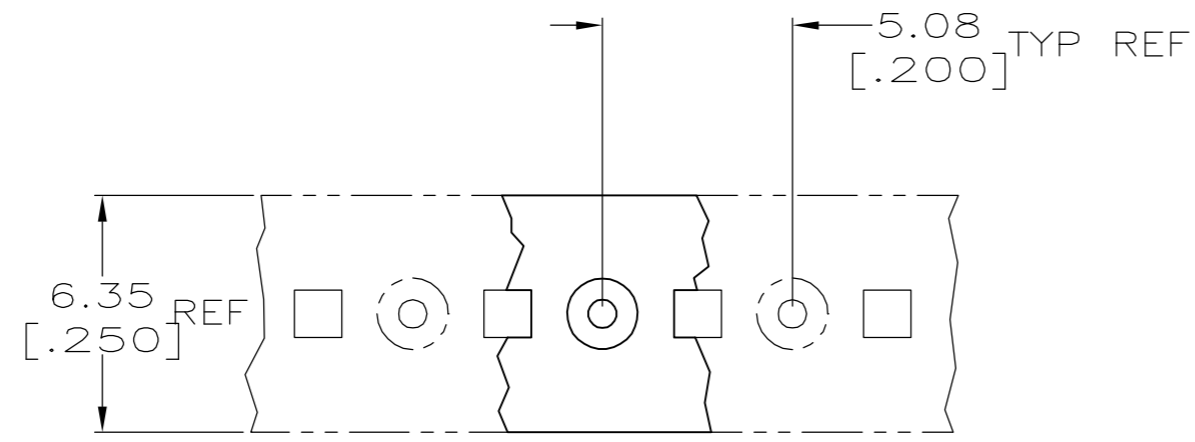


THIS DRAWING IS UNPUBLISHED. RELEASED FOR PUBLICATION  
 © COPYRIGHT BY TYCO ELECTRONICS CORPORATION. ALL RIGHTS RESERVED.

| LOC | DIST | REVISIONS   |          |         |         |
|-----|------|-------------|----------|---------|---------|
| P   | LTR  | DESCRIPTION | DATE     | DWN     | APVD    |
| AG  | 53   | 0           | RELEASED | 25JAN06 | JDP JGH |



- 1 MATERIAL:  
EYELET - COPPER PER ASTM B 152  
SPRING - BERYLLIUM COPPER PER ASTM B 194  
SEALANT - SILICONE RUBBER
- 2 TIN PLATE PER ASTM B 545, 0.00254 [.000100] MIN THK.
- 3 GOLD PLATE PER ASTM B 488, 0.00076 [.000030] MIN THK ON CONTACT AREA.
- 4 PACKAGED, 50,000 PER REEL
- 5 TO INSURE 1/2 OZ MIN RETENTION DO NOT EXCEED 0.10 [.004] DIFFERENCE IN PIN DIA WHEN CHANGING TO A SMALLER DIA PIN
- 6 PRODUCT IS OVALIZED FOR RETENTION IN THE P.C. BOARD. THE RECOMMENDED HOLE DIAMETER IS 1.32 [0.052] MINIMUM, +0.08 [.003] MAX. PRIOR TO SOLDERING.
- 7 PACKAGED, 10,000 PER REEL

|                       |                         |        |        |             |
|-----------------------|-------------------------|--------|--------|-------------|
| 2.54-4.32 [.100-.170] | 0.36-0.66 [0.014-0.026] | GOLD 3 | TIN 2  | 1-5645955-2 |
| 2.54-4.32 [.100-.170] | 0.36-0.66 [0.014-0.026] | TIN 2  | TIN 2  | 1-5645955-1 |
| 2.54-4.32 [.100-.170] | 0.36-0.66 [0.014-0.026] | GOLD 3 | TIN 2  | 5645955-2   |
| LENGTH                | DIA 5                   | SPRING | EYELET | PART NO.    |
| PIN                   |                         | FINISH |        |             |

|  |  |                  |              |         |   |      |   |       |            |           |               |   |
|--|--|------------------|--------------|---------|---|------|---|-------|------------|-----------|---------------|---|
| THIS DRAWING IS A CONTROLLED DOCUMENT.   |  | DWN              | J. POLIGNONE | 25JAN06 | Tyco Electronics Corporation<br>Harrisburg, PA 17105-3608 |      |   |       |            |           |               |   |
| DIMENSIONS: mm [INCHES]  |  | CHK              | J. HAVENER   | 25JAN06 |   |      |   |       |            |           |               |   |
| TOLERANCES UNLESS OTHERWISE SPECIFIED:   |  | APVD             | J. HAVENER   | 25JAN06 |   |      |   |       |            |           |               |   |
| 0 PLC ± -<br>1 PLC ± -<br>2 PLC ± -<br>3 PLC ± 0.20[.008]<br>4 PLC ± -<br>ANGLES ± -<br>FINISH SEE TABLE |  | PRODUCT SPEC     | 108-14008    |         |   | NAME | MINIATURE SPRING SOCKET ASSY<br>SERIES 2 LONG<br>WITH SEALANT |       |            |           |               |   |
| MATERIAL 1   |  | APPLICATION SPEC | 114-26004    |         | SIZE  | A2   | CAGE CODE   | 00779 | DRAWING NO | C=5645955 | RESTRICTED TO | - |
|  |  | WEIGHT           | -            |         | SCALE   | 1:1  |   | SHEET | 1 of 1     |           | REV           | 0 |
|  |  | CUSTOMER DRAWING |              |         |   |      |   |       |            |           |               |   |