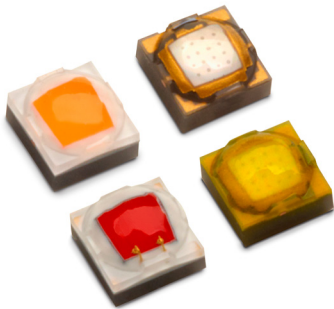




LUXEON C Color Line

Multiple colors, a single focal length



The LUXEON C Color Line is an optically advanced portfolio of Color and White LEDs. Designed for flawless color mixing, LUXEON C Color Line has one focal length for all colors, which provides consistent radiation patterns from secondary optics and maximizes optical efficiency. With low dome design, it keeps effective source size small while still improving light extraction. Designed for smooth color mixing and maximum punch, LUXEON C Color Line is the optimal LED solution for architecture, entertainment and emergency vehicle lighting applications.

FEATURES AND BENEFITS

One focal length allows flawless color mixing, maximum optical efficiency and removes halos

Low dome design eliminates trade-offs between flux and source size

Hot tested—removes guesswork for designers

Industry's lowest thermal resistance means greater light output and lower heatsink costs

Small symmetrical 2x2mm² package enables dense packing and limits the impact of rotation during reflow

PRIMARY APPLICATIONS

Architectural & Entertainment

Lamps

– Color Tunable

Specialty Lighting

– Emergency Vehicle



LUXEON C Colors product performance at 350mA, T_j=85°C.

| COLOR | DOMINANT OR PEAK WAVELENGTH ^[1] (nm) | | LUMINOUS FLUX (lm) OR RADIOMETRIC POWER ^[2] (mW) | | PART NUMBER |
|------------|---|---------|---|---------|--------------------|
| | MINIMUM | MAXIMUM | MINIMUM | TYPICAL | |
| Far Red | 720 | 750 | 190 | 230 | L1C1-FRD1000000000 |
| Deep Red | 655 | 675 | 280 | 315 | L1C1-DRD1000000000 |
| Red | 624 | 634 | 35 | 45 | L1C1-RED1000000000 |
| Red-Orange | 614 | 624 | 45 | 54 | L1C1-RNG1000000000 |
| Amber | 585 | 600 | 20 | 30 | L1C1-AMB1000000000 |
| PC Amber | - | - | 80 | 94 | L1C1-PCA1000000000 |
| Mint | - | - | 140 | 152 | L1C1-MNT1000000000 |
| Lime | - | - | 140 | 152 | L1C1-LME1000000000 |
| Green | 520 | 540 | 90 | 97 | L1C1-GRN1000000000 |
| Cyan | 490 | 510 | 65 | 72 | L1C1-CYN1000000000 |
| Blue | 465 | 485 | 25 | 41 | L1C1-BLU1000000000 |
| Royal Blue | 440 | 460 | 480 | 532 | L1C1-RYL1000000000 |

Notes:

- Lumileds maintains a tolerance of ±6.5% on luminous flux measurements. PC Amber, Mint and Lime are binned by chromaticity coordinates. Far Red, Deep Red and Royal Blue are binned by peak wavelength. All other colors are binned by dominant wavelength.
- Far Red, Deep Red and Royal Blue are binned by radiometric power. All other colors are binned by luminous flux.

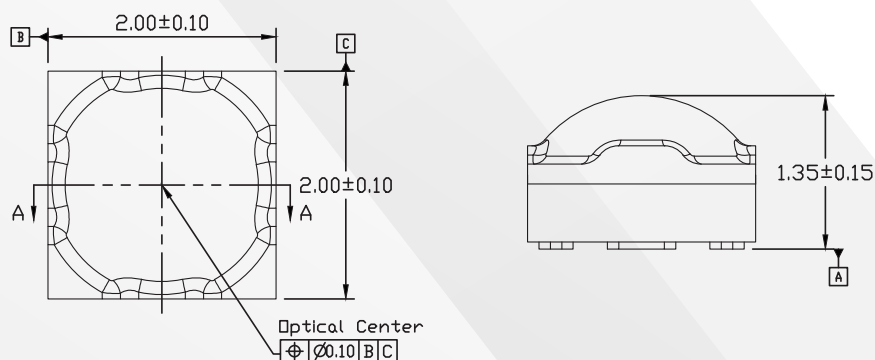
LUXEON C White product performance at 350mA, T_j=85°C.

| NOMINAL CCT | MINIMUM CRI | LUMINOUS FLUX (lm) | | TYPICAL LUMINOUS EFFICACY (lm/W) | PART NUMBER |
|-------------|-------------|--------------------|---------|----------------------------------|---------------------|
| | | MINIMUM | TYPICAL | | |
| 4000K | 70 | 100 | 116 | 121 | L1C1-40700000000000 |
| 5000K | 70 | 100 | 117 | 122 | L1C1-50700000000000 |
| 5700K | 70 | 100 | 118 | 124 | L1C1-57700000000000 |
| 6500K | 70 | 100 | 119 | 124 | L1C1-65700000000000 |
| 2700K | 80 | 90 | 94 | 98 | L1C1-27800000000000 |
| 3000K | 80 | 90 | 102 | 106 | L1C1-30800000000000 |
| 4000K | 80 | 100 | 113 | 117 | L1C1-40800000000000 |
| 5700K | 90 | 80 | 93 | 94 | L1C1-57900000000000 |

Notes:

- Lumileds maintains a tolerance of ±2 on CRI and ±6.5% on luminous flux measurements.

Mechanical Dimensions for LUXEON C Color Line.



Notes:

- Drawings are not to scale.
- All dimensions are in millimeters.

©2017 Lumileds Holding B.V. All rights reserved. LUXEON is a registered trademark of the Lumileds Holding B.V. in the United States and other countries.

lumileds.com

Lumileds Holding B.V. shall not be liable for any kind of loss of data or any other damages, direct, indirect or consequential, resulting from the use of the provided information and data. Although Lumileds Holding B.V. has attempted to provide the most accurate information and data, the materials and services information and data are provided "as is" and Lumileds Holding B.V. neither warranties, nor guarantees the contents and correctness of the provided information and data. Lumileds Holding B.V. reserves the right to make changes without notice. You as user agree to this disclaimer and user agreement with the download or use of the provided materials, information and data.