

5

4

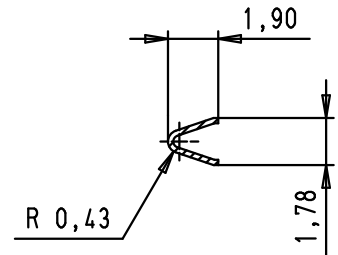
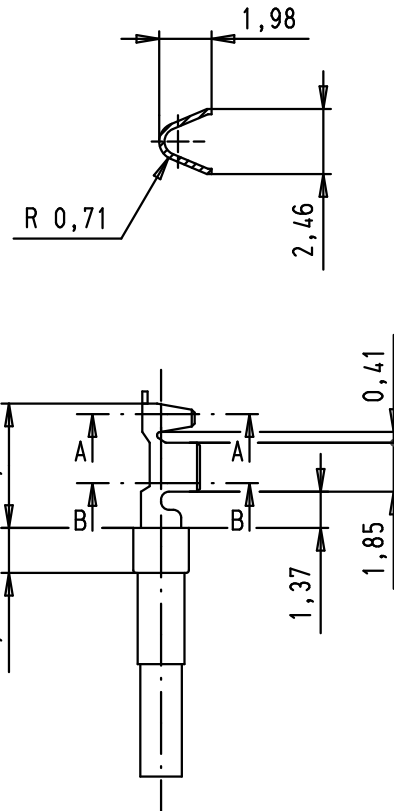
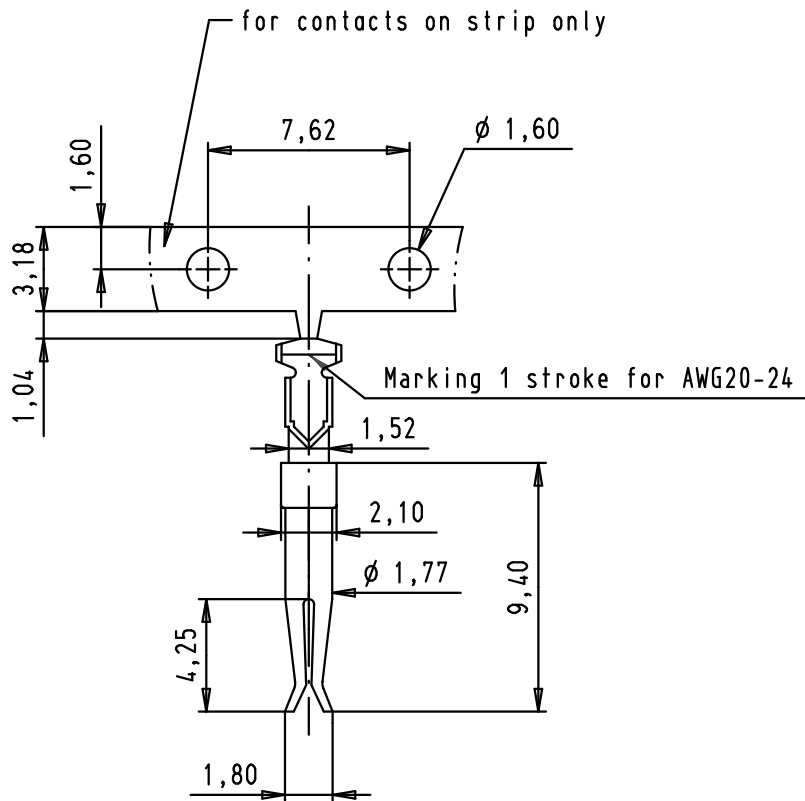
3

2

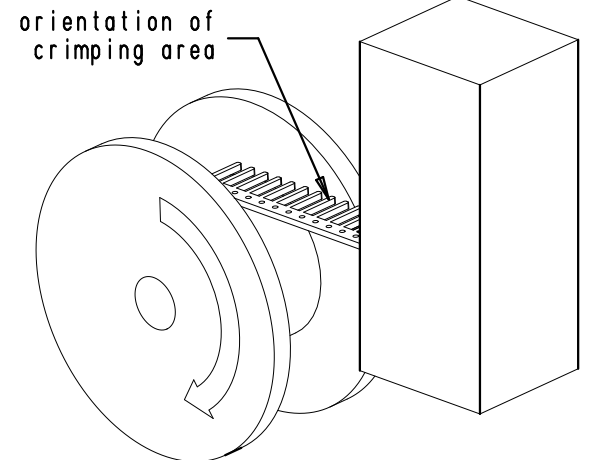
1

Section A-A

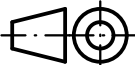

Section B-B



Reel unrolling left reversed



Base material: brass
 Plating: sliding contact selective gold plated over nickel
 nickel plated crimp area
 Number of contacts per reel: 10000

				Dat.	Name	 All Dim. in mm Orig. Size DIN A 4	D-Sub, stamped female AWG 20-24 crimp contact, reel unrolling left reversed	Maßstab/ Scale 3,5:1
			Detail.	24/03/03	PP			
36288	13/01/12	SD	Insp.	13/01/12	JB			
33986	24/04/07	PK	Stand.					
33242	17/10/05	JMDR	HARTING EURL F-95972 Paris				TB 09 67 000 824X	Blatt/ Page 1 / 1
31476	24/03/03	PP						
Part number	Performance level	Mod.	Dat.	Name	Sub.			

D

C

B

A