

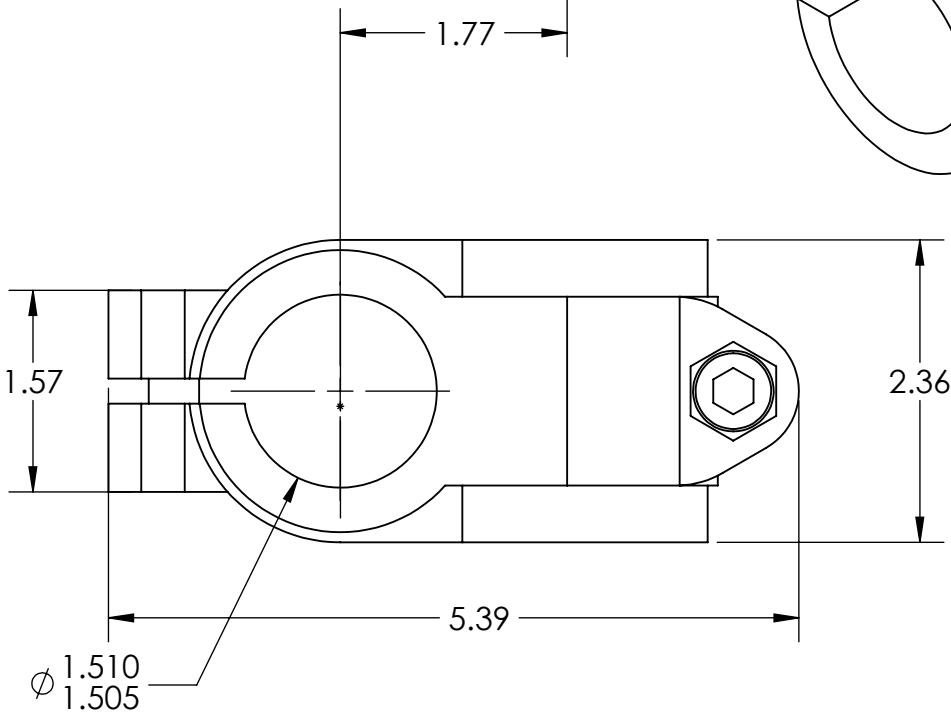
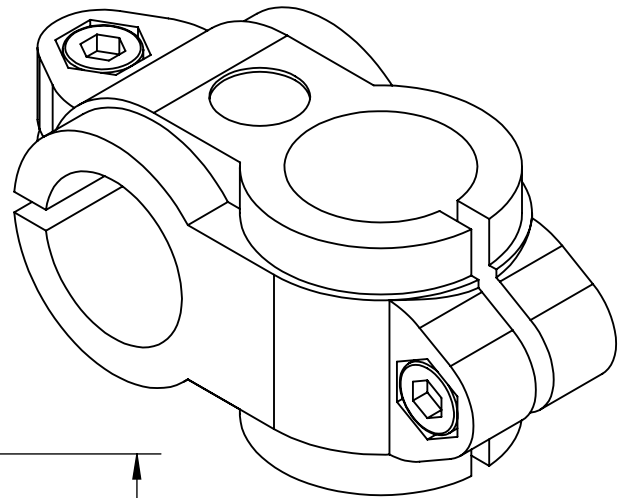
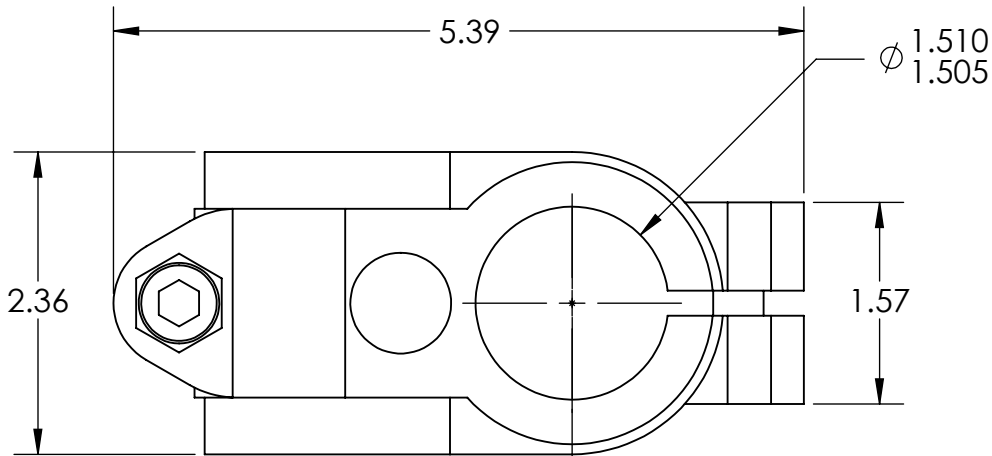
REVISION HISTORY-- ALL SHEETS ARE THE SAME REVISION STATUS

REV	DESCRIPTION	DATE	APPROVED

REV A

SH 1 of 1

DWG NO RXA.1515

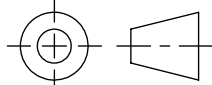


CONFIDENTIAL

© 2016 Phoenix Mecano Inc. This drawing is the property of Phoenix Mecano Inc. and embodies confidential information, trade secret information, and/or know-how which is the property of Phoenix Mecano Inc. By accepting this drawing, the recipient agrees not to provide, or otherwise make available, the drawing, or any information or know-how embodied therein, to any third party without prior written authorization.

UNLESS OTHERWISE SPECIFIED
DIM ARE IN INCHES
TOLERANCE:
ANGLE ± .5°
1 PL ± .030
2 PL ± .010
3 PL ± .005
INTERPRET DIM AND TOL PER
ASME Y14.5M-1994

THIRD ANGLE PROJECTION



DRAWN **Chi Pong**

APPROVED

APPROVED

TITLE

RK Clamp Catalog Drawing

Phoenix Mecano Inc.
7330 Executive Way
Frederick, MD 21704
(301) 696-9411 voice
(301) 696-9494 fax



SIZE A	CAGE CODE 1L9R7	DWG NO RXA.1515	REV A
SCALE NTS	DATE 7/14/2016	SHEET 1 of 1	