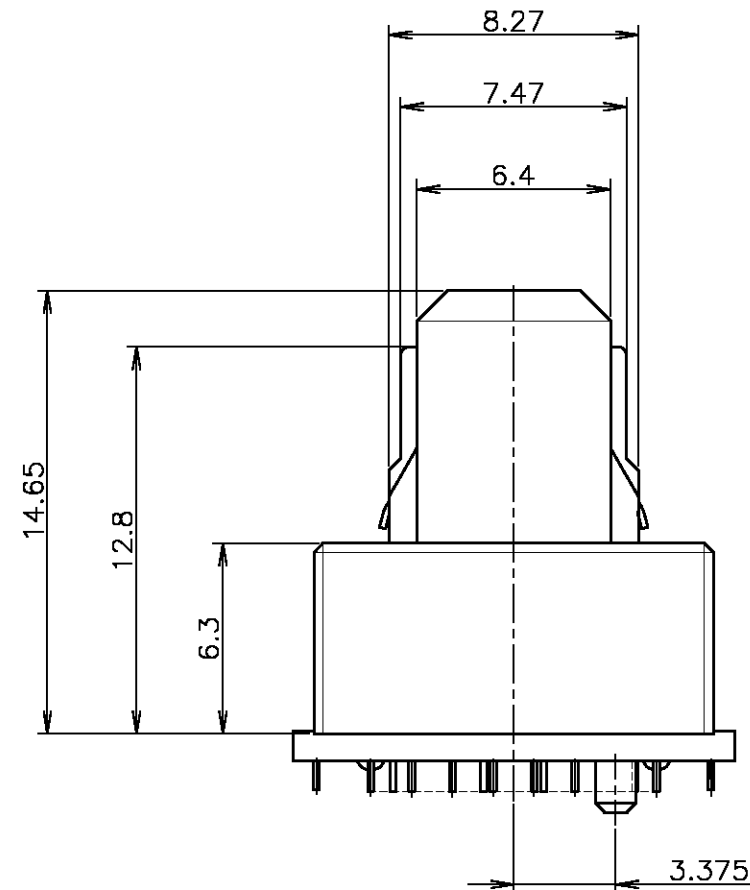
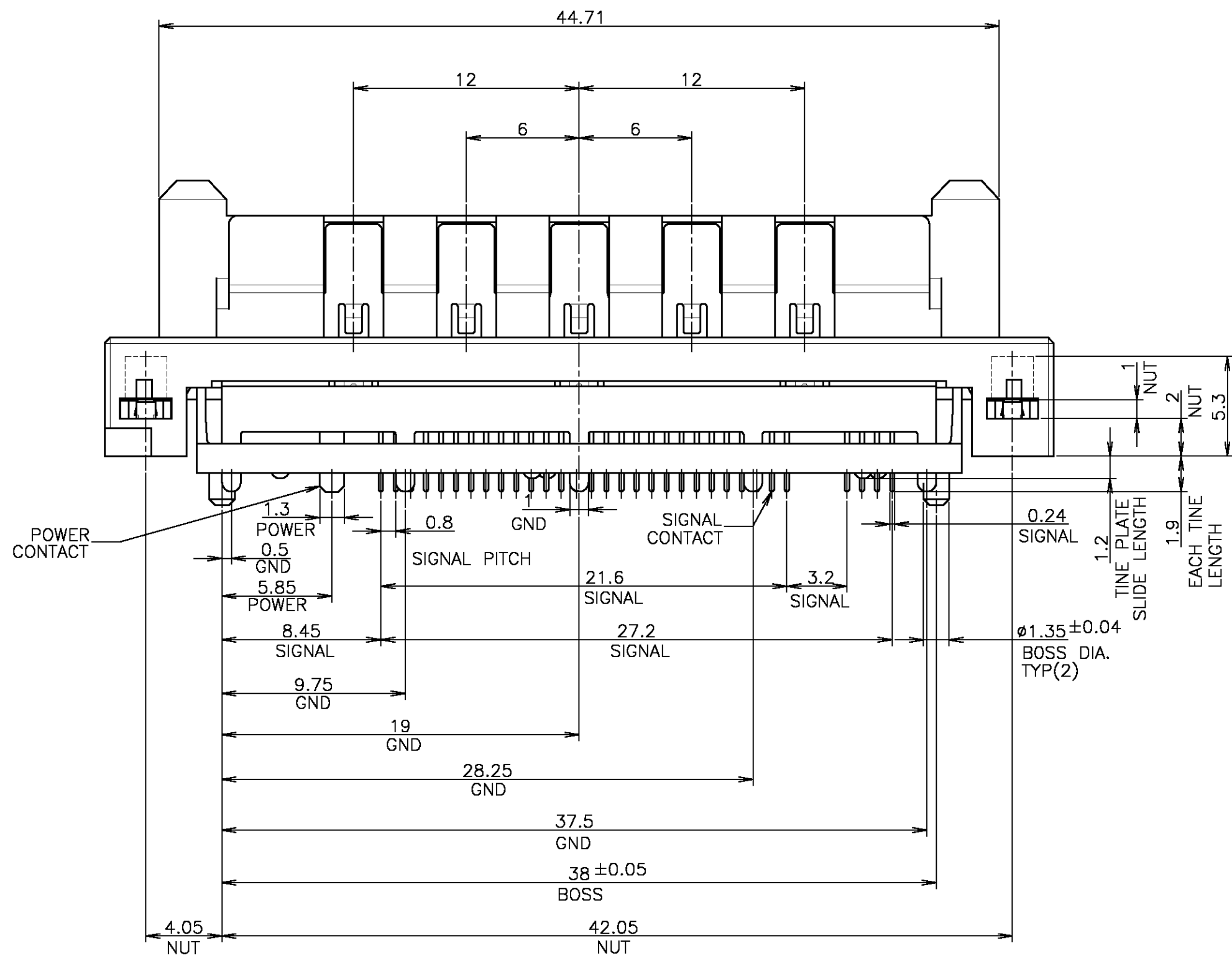
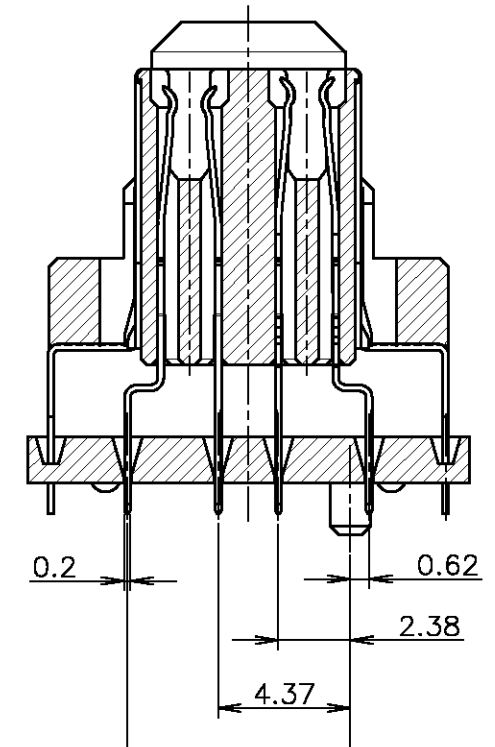
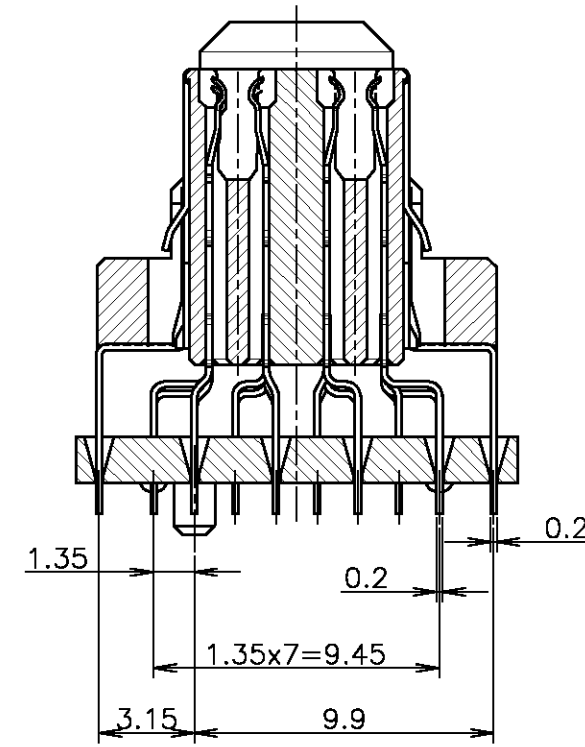
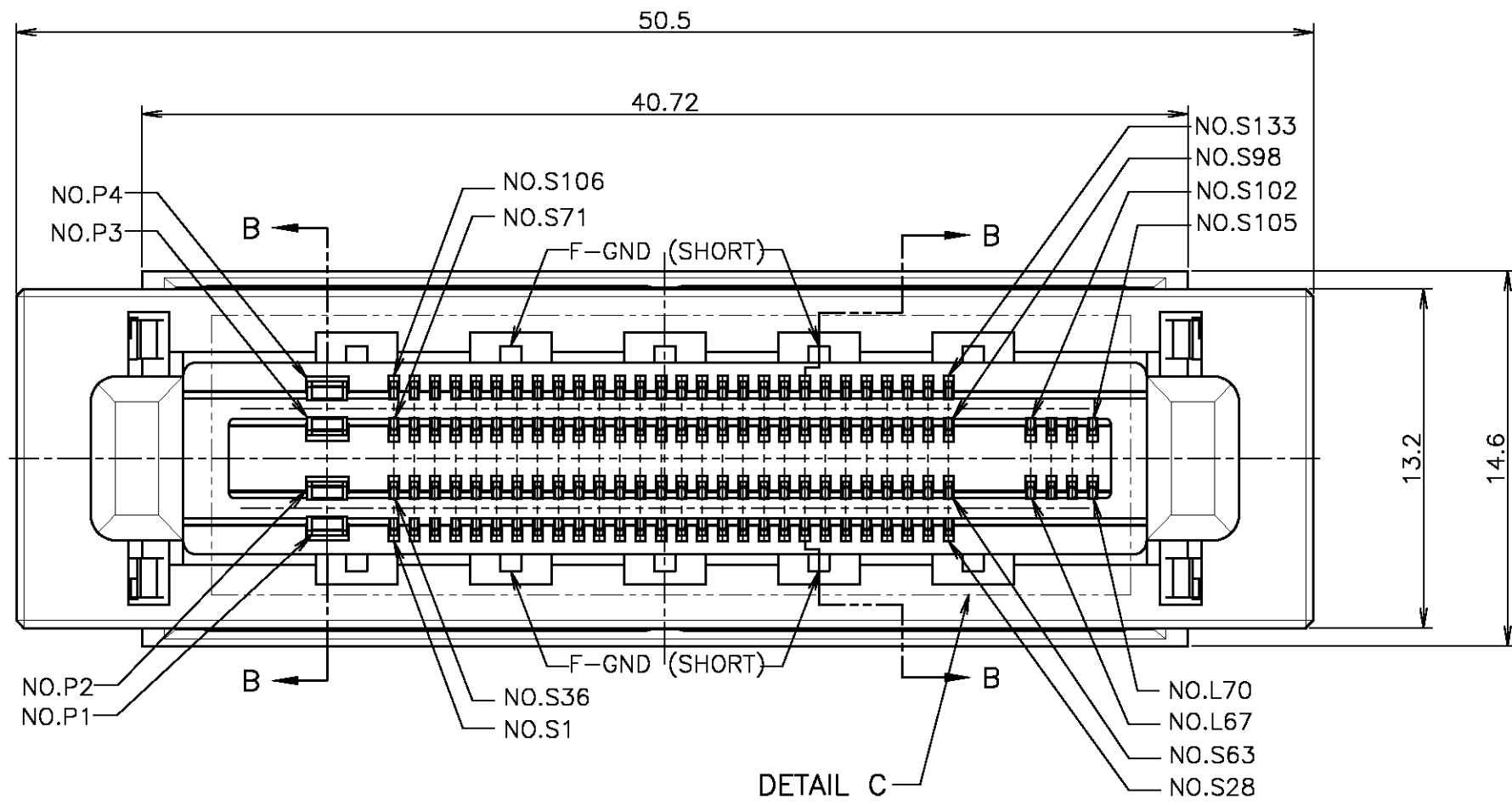


THIS DRAWING IS UNPUBLISHED. RELEASED FOR PUBLICATION OCT., 2005.
 © COPYRIGHT 2005 BY TYCO ELECTRONICS CORPORATION. ALL RIGHTS RESERVED.

LOC		DIST		REVISIONS			DATE	DWN	APVD
P	LTR	DESCRIPTION							
A1		REVISED	ECR-08-027796			04NOV08	N.H	T.F	



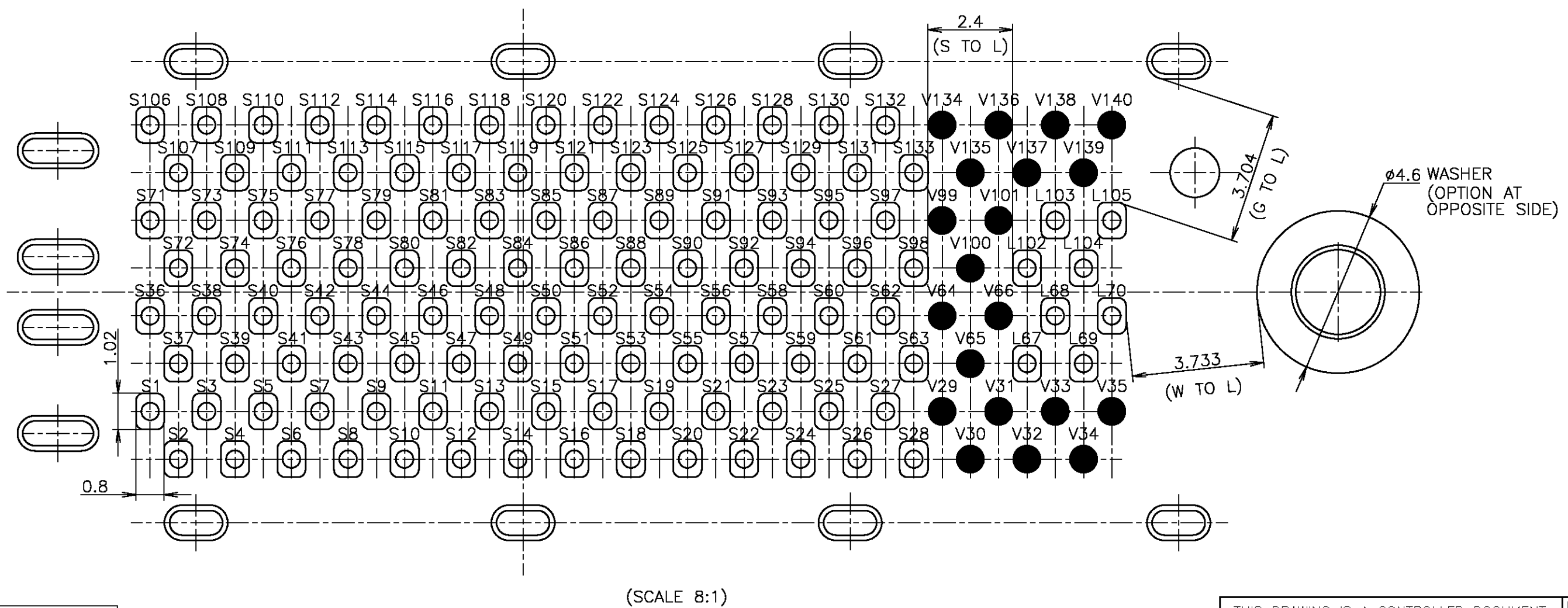
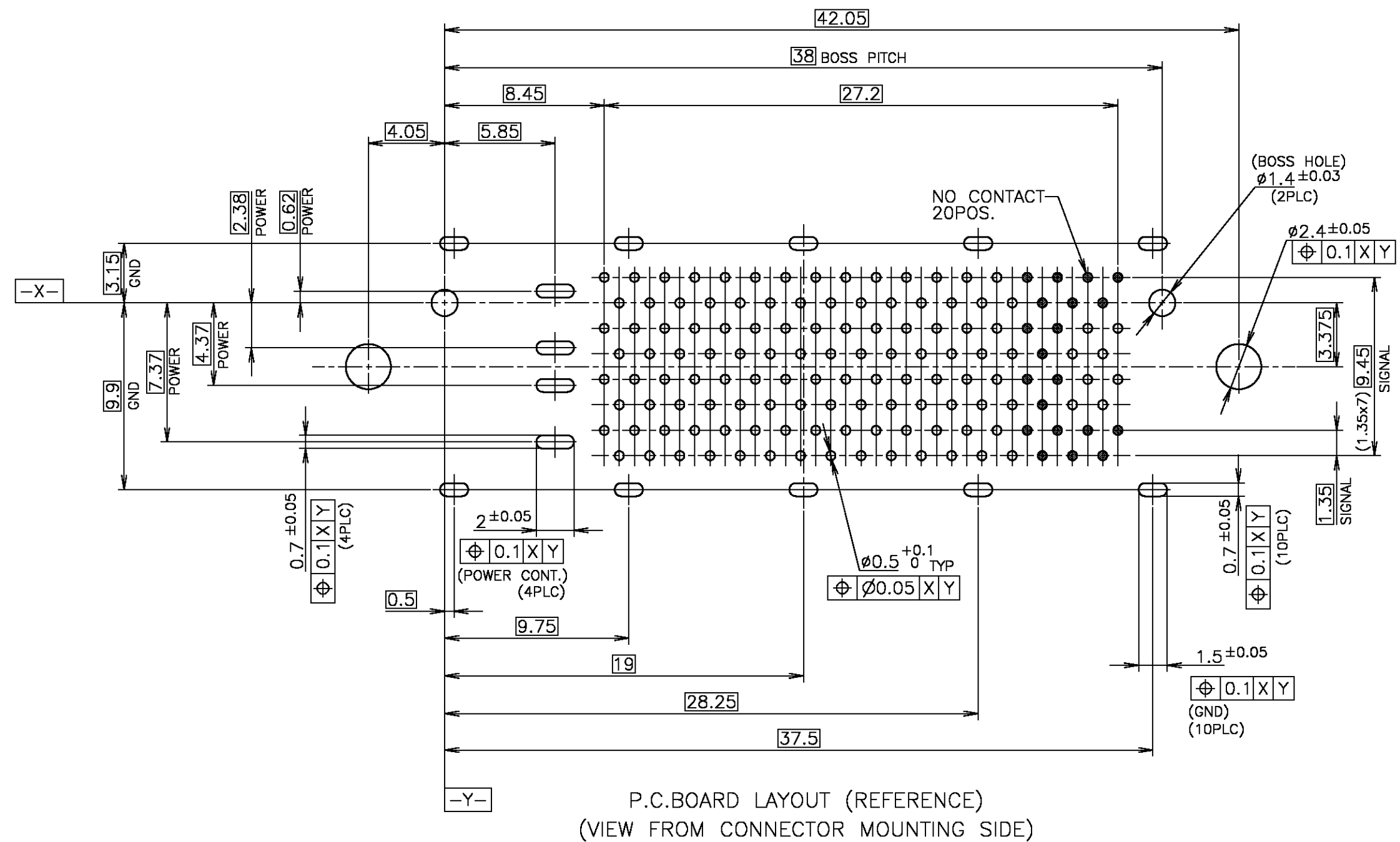
-1; AS SHOWN

THE NUMBER OF PINS
 SIGNAL 112P
 POWER 4P
 LAN 8P
 VOID 20P

GENERAL TOLERANCE
 一般公差
 10 ≥ ±0.2
 30 ≥ > 10: ±0.25
 100 ≥ > 30: ±0.3
 ANGLES: ±3°

THIS DRAWING IS A CONTROLLED DOCUMENT.		DWN M.UMEHARA 24OCT2005	Tyco Electronics Corporation Kawasaki, Japan
DIMENSIONS: 単位: 特 mm		CHK A.KUBO 24OCT2005	
TOLERANCES UNLESS OTHERWISE SPECIFIED: 一般公差		APVD Y.YAMAMOTO 24OCT2005	NAME 名称 0.8 DOCKING CONNECTOR REC ASSY, 140P + POWER 4P
FINISH 仕上		PRODUCT SPEC 製品規格 108-78334	SIZE A2
MATERIAL 材料		APPLICATION SPEC 取付適用規格	CAGE CODE 00779
		WEIGHT	DRAWING NO. 番号 C=1903385
		CUSTOMER DRAWING	RESTRICTED TO
		SCALE 尺度 4:1	SHEET 1 of 5
			REV A1

LOC		DIST		REVISIONS			DATE	DWN	APVD
J				P	LTR	DESCRIPTION			
						SEE SHEET 1			



- △ 材質
 ハウジング：熱可塑性樹脂 UL94V-0、黒
 タイムプレート：熱可塑性樹脂 UL94V-0、黒
 シグナルコンタクト：銅合金
 パワーコンタクト：銅合金
 グランドプレート：銅合金
 ナット：ステンレス鋼
 トレー：PS t=0.8、白
- △ 仕上
 シグナルコンタクト&パワーコンタクト：
 ニッケル下地接点部金めっき、はんだ付け部すずめっき
 グランドプレート：すずめっき（リフロー）
- 3 適用基板厚：1.45±0.1mm
- 4 かん合相手型番：1903848-1
 : 2040472-1, 2040928-1
- △ 推奨ねじ締め付けトルク：
 0.15N・m(1.5kgf・cm)から0.2N・m(2kgf・cm)
- 6 梱包：32EA/トレイ
- △ MATERIAL
 HOUSING: THERMOPLASTIC, UL94V-0, BLACK
 TIME PLATE: THERMOPLASTIC, UL94V-0, BLACK
 SIGNAL CONTACT: COPPER ALLOY
 POWER CONTACT: COPPER ALLOY
 GROUND PLATE: COPPER ALLOY
 NUT: STAINLESS STEEL
 TRAY: PS t=0.8, WHITE
- △ FINISH
 SIGNAL CONTACT & POWER CONTACT:
 Au PL. ON CONTACT AREA
 Sn PL. ON SOLDER AREA
 Ni UNDER PL. ALL OVER
 GROUND PLATE:
 Sn PL. (REFLOW)
- 3 APPLICABLE THICKNESS OF P.C.BOARD: 1.45±0.1mm
- 4 CONNECTOR TO BE MATED: 1903848-1
 : 2040472-1, 2040928-1
- △ RECOMMENDED TIGHTENING TORQUE:
 FROM 0.15N.m (1.5kgf.cm) TO 0.2N.m (2kgf.cm)
- 6 PACKAGING: 32EA/TRAY

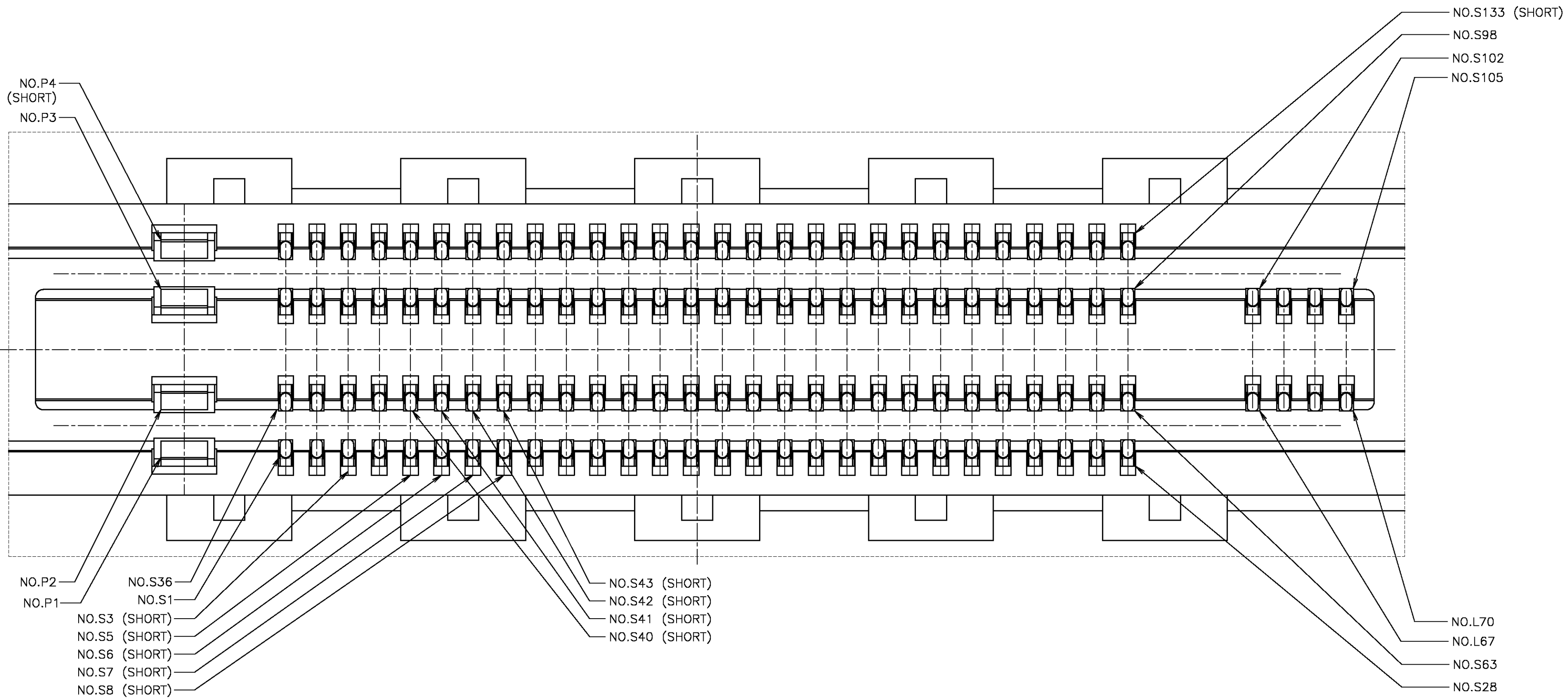
S27
 CIRCUIT NO.
 S: SIGNAL
 P: POWER
 V: VOID
 L: LAN

GENERAL TOLERANCE
 一般公差
 10 ≥ : ±0.2
 30 ≥ > 10: ±0.25
 100 ≥ > 30: ±0.3
 ANGLES: ±3°

THIS DRAWING IS A CONTROLLED DOCUMENT.		DWN	Tyco Electronics Corporation Kawasaki, Japan	
DIMENSIONS: 単位：mm		CHK	NAME 名称	
TOLERANCES UNLESS OTHERWISE SPECIFIED: 一般公差		APVD	0.8 DOCKING CONNECTOR REC ASSY, 140P + POWER 4P	
0 PLC ± 1 PLC ± 2 PLC ± 3 PLC ± 4 PLC ± ANGLES ±		PRODUCT SPEC 製品規格	SIZE	RESTRICTED TO
MATERIAL 材料		APPLICATION SPEC 取付適用規格	A2	
FINISH 仕上		WEIGHT	CAGE CODE 00779	DRAWING NO. 1903385
		CUSTOMER DRAWING	SCALE 4:1	SHEET 2 OF 5

THIS DRAWING IS UNPUBLISHED. RELEASED FOR PUBLICATION OCT., 2005.
 © COPYRIGHT 2005 BY TYCO ELECTRONICS CORPORATION. ALL RIGHTS RESERVED.

LOC		DIST		REVISIONS			
P	LTR	DESCRIPTION	DATE	DWN	APVD		
		SEE SHEET 1					



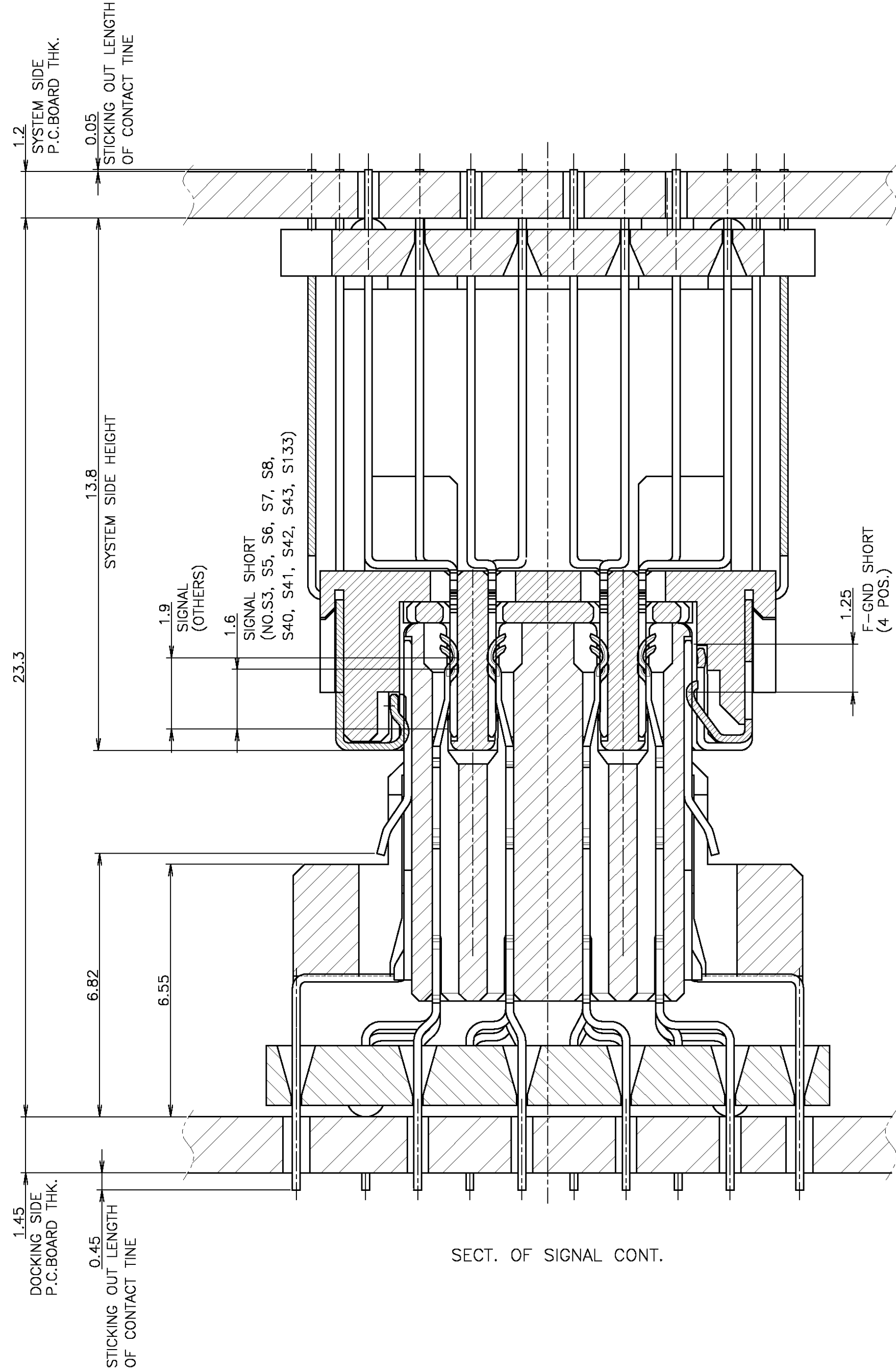
DETAIL C

THIS DRAWING IS A CONTROLLED DOCUMENT.		DWN	Tyco Electronics Corporation Kawasaki, Japan	
DIMENSIONS: 単位: 寸 mm		CHK	NAME 名称	
TOLERANCES UNLESS OTHERWISE SPECIFIED: 一般公差		APVD	0.8 DOCKING CONNECTOR REC ASSY, 140P + POWER 4P	
0 PLC ± 1 PLC ± 2 PLC ± 3 PLC ± 4 PLC ± ANGLES ±		PRODUCT SPEC 製品規格	SIZE	CAGE CODE
MATERIAL 材料		APPLICATION SPEC 取付適用規格	A2	00779
FINISH 仕上		WEIGHT	DRAWING NO 番号	RESTRICTED TO
		CUSTOMER DRAWING	C=1903385	
		SCALE 尺度	SHEET	REV
		12:1	3 of 5	A1

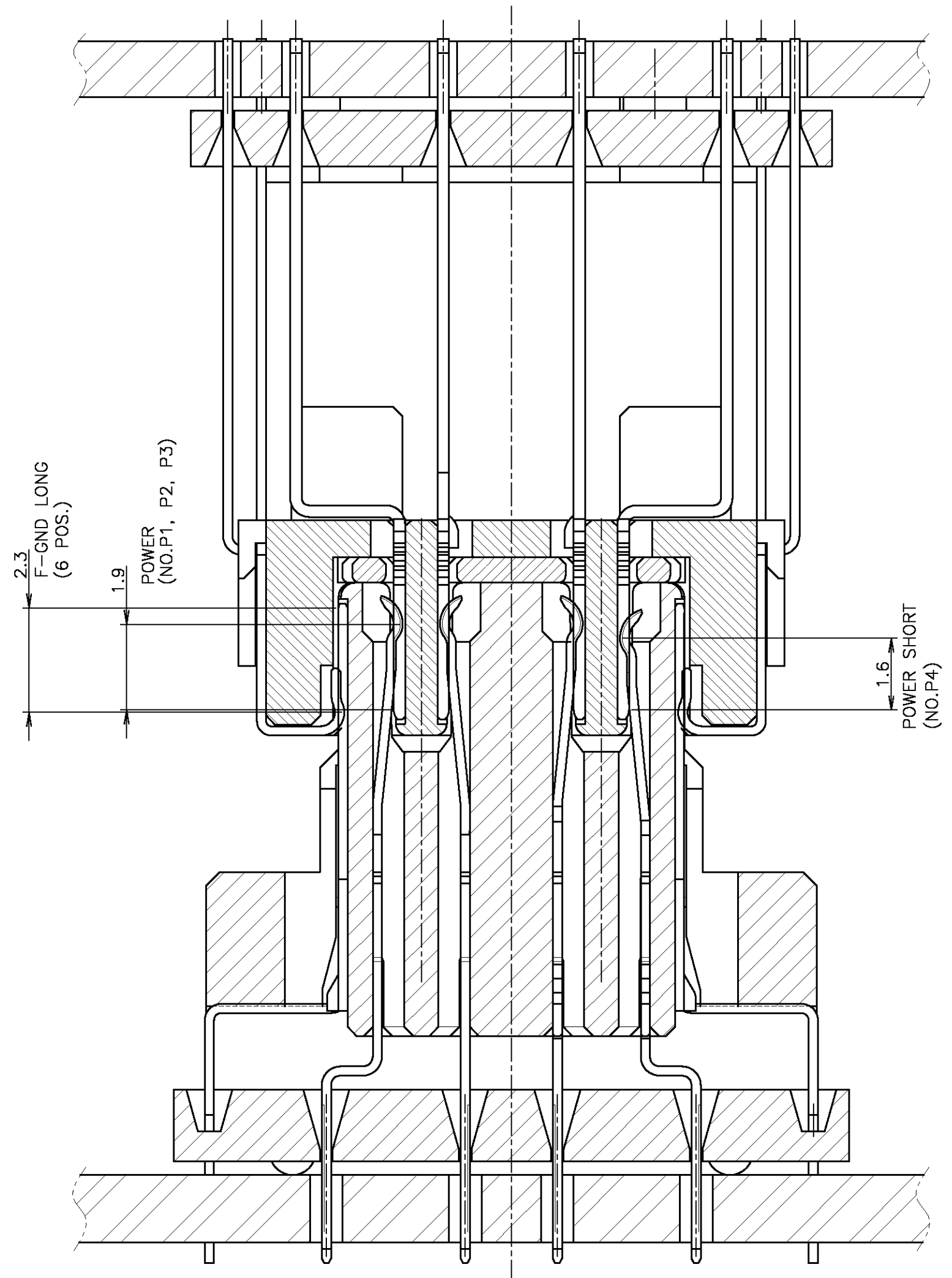
1903385

THIS DRAWING IS UNPUBLISHED. RELEASED FOR PUBLICATION OCT., 2005.
 © COPYRIGHT 2005 BY TYCO ELECTRONICS CORPORATION. ALL RIGHTS RESERVED.

LOC	DIST	REVISIONS					
J		P	LTR	DESCRIPTION	DATE	DWN	APVD
		-	-	SEE SHEET 1	-	-	-



SECT. OF SIGNAL CONT.



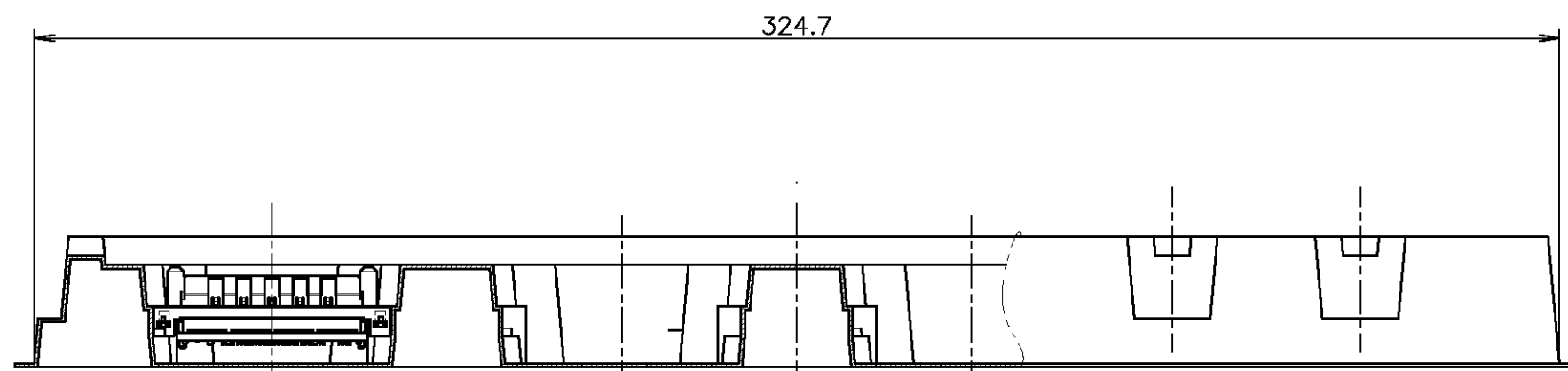
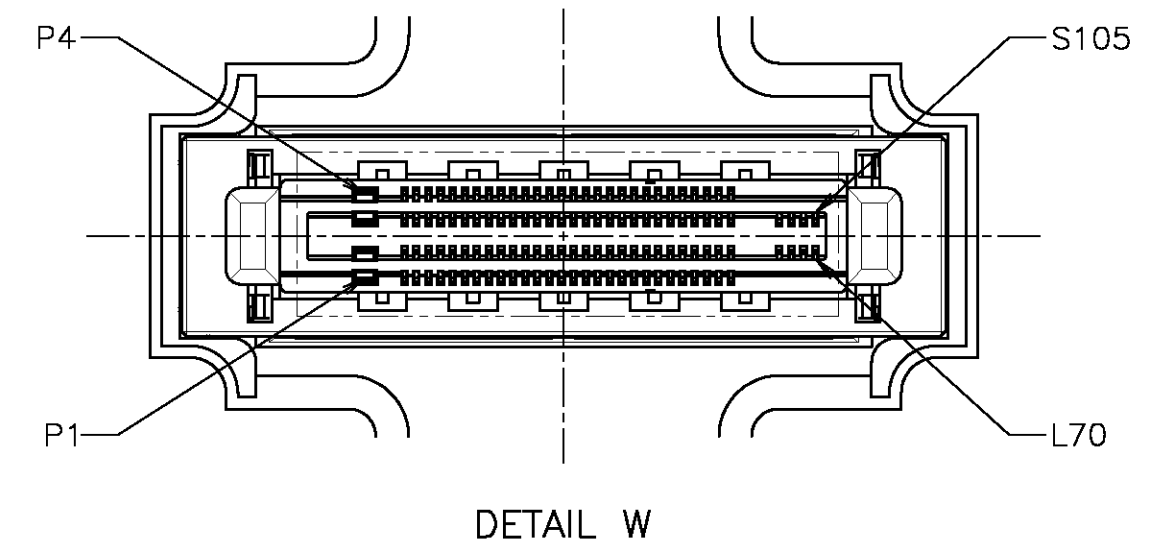
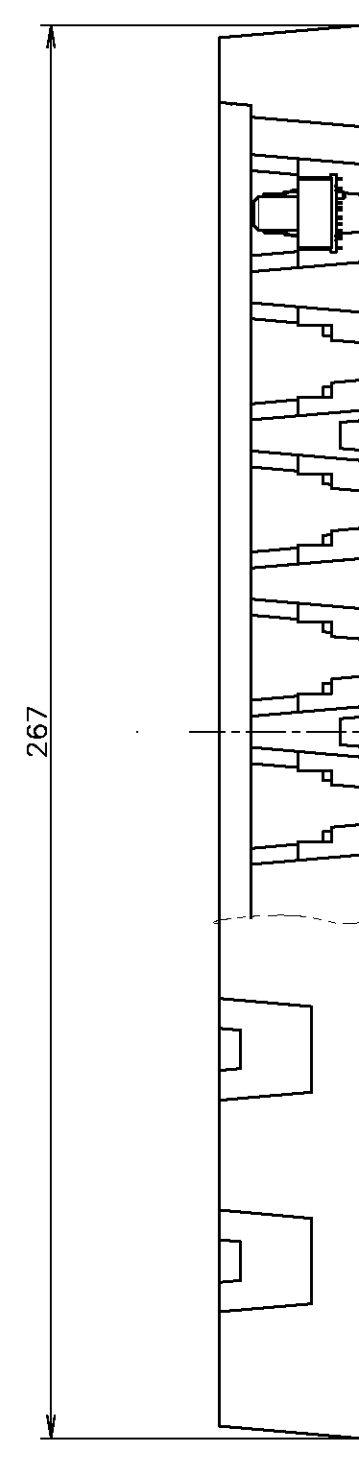
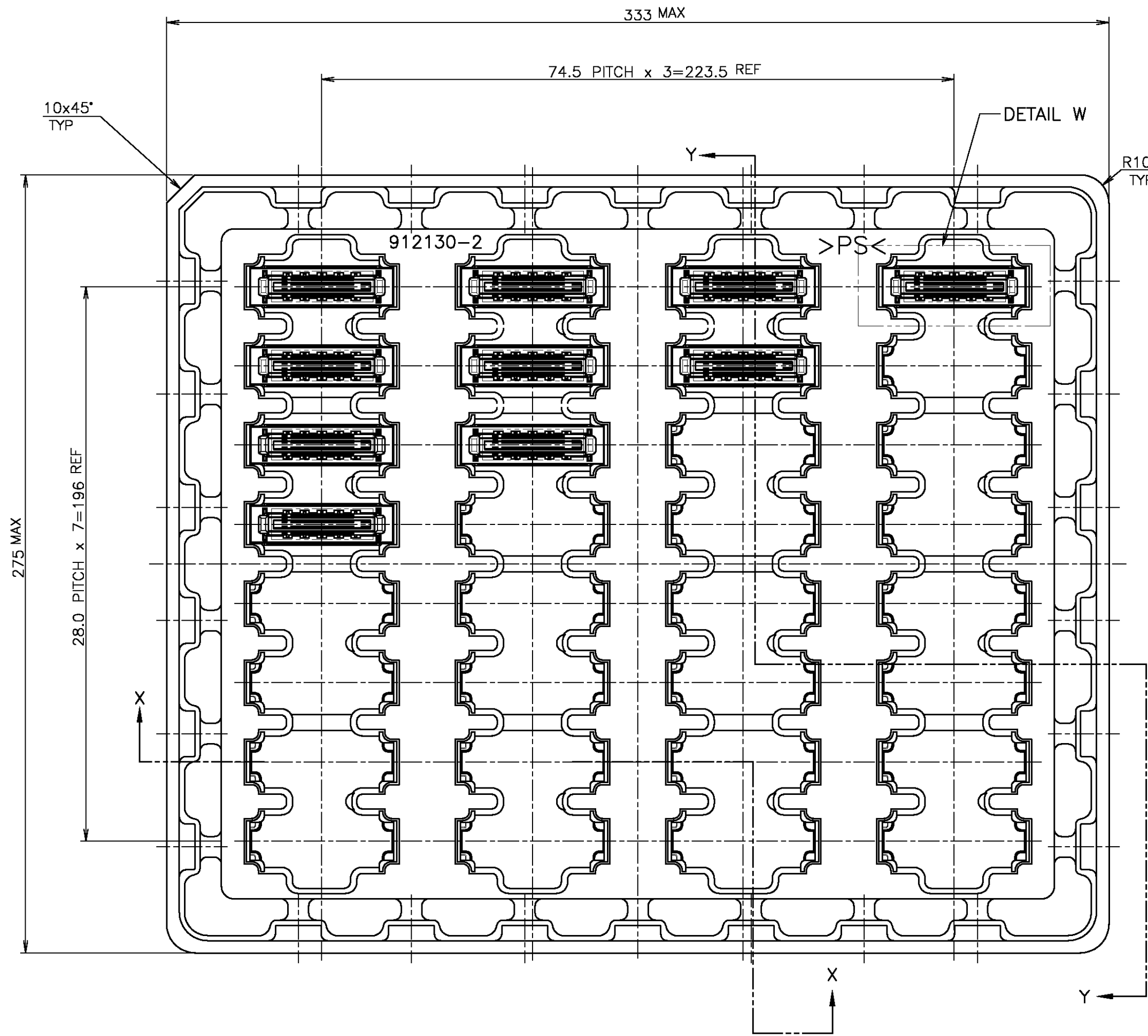
SECT. OF POWER CONT.

DIMENSIONS ARE REFERENCE ONLY.

THIS DRAWING IS A CONTROLLED DOCUMENT.		DWN	Tyco Electronics Corporation Kawasaki, Japan	
DIMENSIONS: 单位: 毫米 mm		CHK	NAME 名称	
TOLERANCES UNLESS OTHERWISE SPECIFIED: 一般公差		APVD	0.8 DOCKING CONNECTOR REC ASSY, 140P + POWER 4P	
6 PLC ±		PRODUCT SPEC 製品規格	SIZE	CAGE CODE
1 PLC ±		APPLICATION SPEC 取付適用規格	A2	00779
2 PLC ±		WEIGHT	DRAWING NO. 番号	RESTRICTED TO
3 PLC ±		CUSTOMER DRAWING	C=1903385	
4 PLC ±		SCALE 尺度	NTS	SHEET 4 OF 5
ANGLES ±		REV	A1	
FINISH 仕上				

THIS DRAWING IS UNPUBLISHED. RELEASED FOR PUBLICATION OCT., 2005.
 © COPYRIGHT 2005 BY TYCO ELECTRONICS CORPORATION. ALL RIGHTS RESERVED.

LOC		DIST		REVISIONS			
P	LTR	DESCRIPTION	DATE	DWN	APVD		
		SEE SHEET 1					



THIS DRAWING IS A CONTROLLED DOCUMENT.		DWN	Tyco Electronics Corporation Kawasaki, Japan	
DIMENSIONS: 単位: 寸 mm		CHK	NAME 名称	
TOLERANCES UNLESS OTHERWISE SPECIFIED: 一般公差		APVD	0.8 DOCKING CONNECTOR REC ASSY, 140P + POWER 4P	
0 PLC ± 1 PLC ± 2 PLC ±1.0mm 3 PLC ± 4 PLC ±		PRODUCT SPEC 製品規格	SIZE	CAGE CODE
FINISH 仕上		APPLICATION SPEC 取付適用規格	A2	00779
MATERIAL 材料		WEIGHT	DRAWING NO 番号	RESTRICTED TO
		CUSTOMER DRAWING	C=1903385	
		SCALE 尺度	NTS	SHEET 5 of 5
			REV A1	