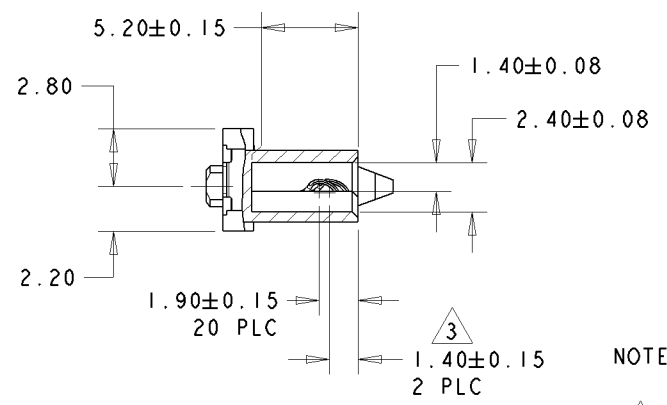
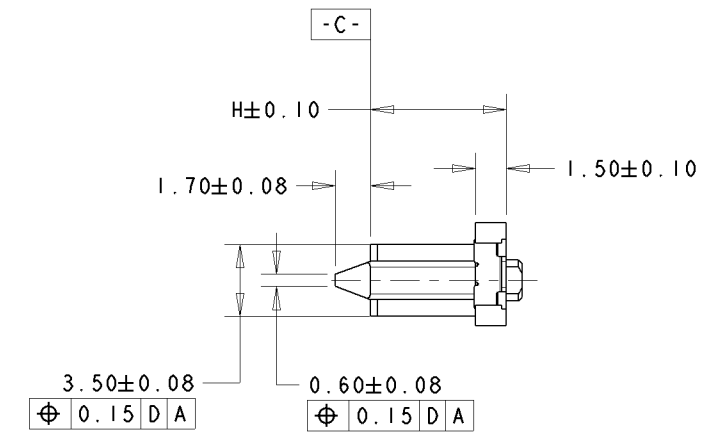
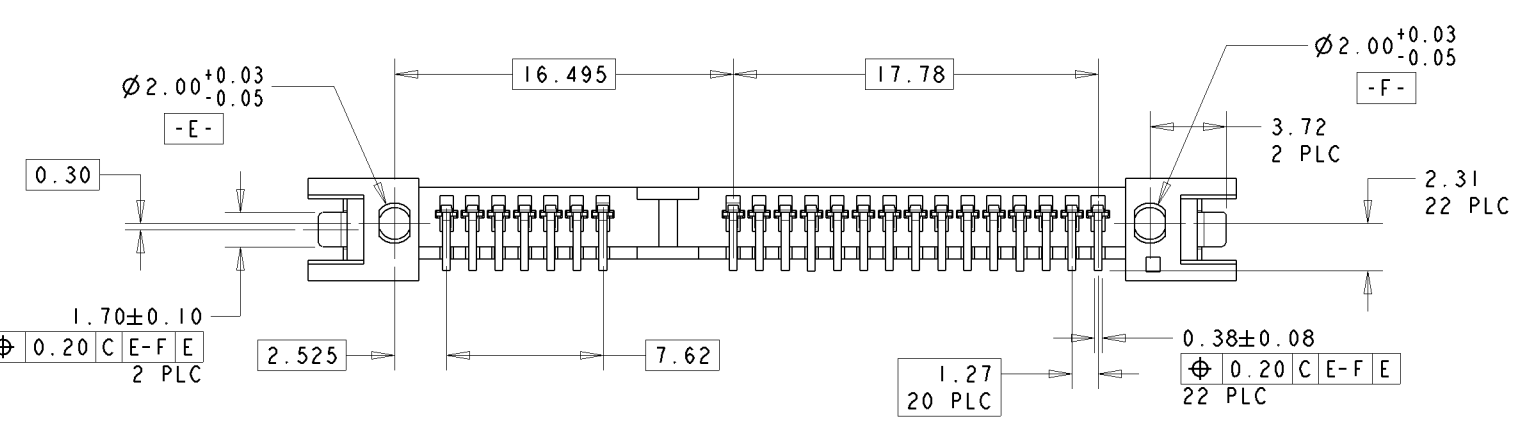
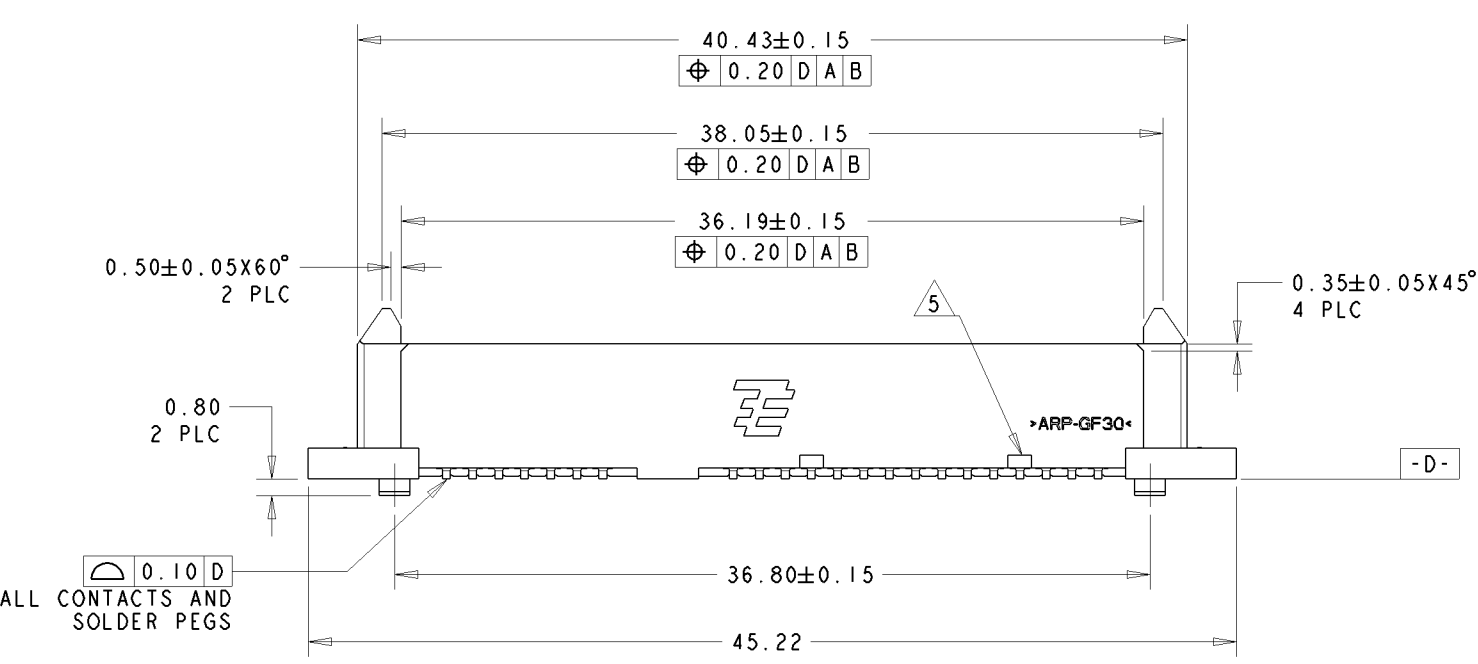
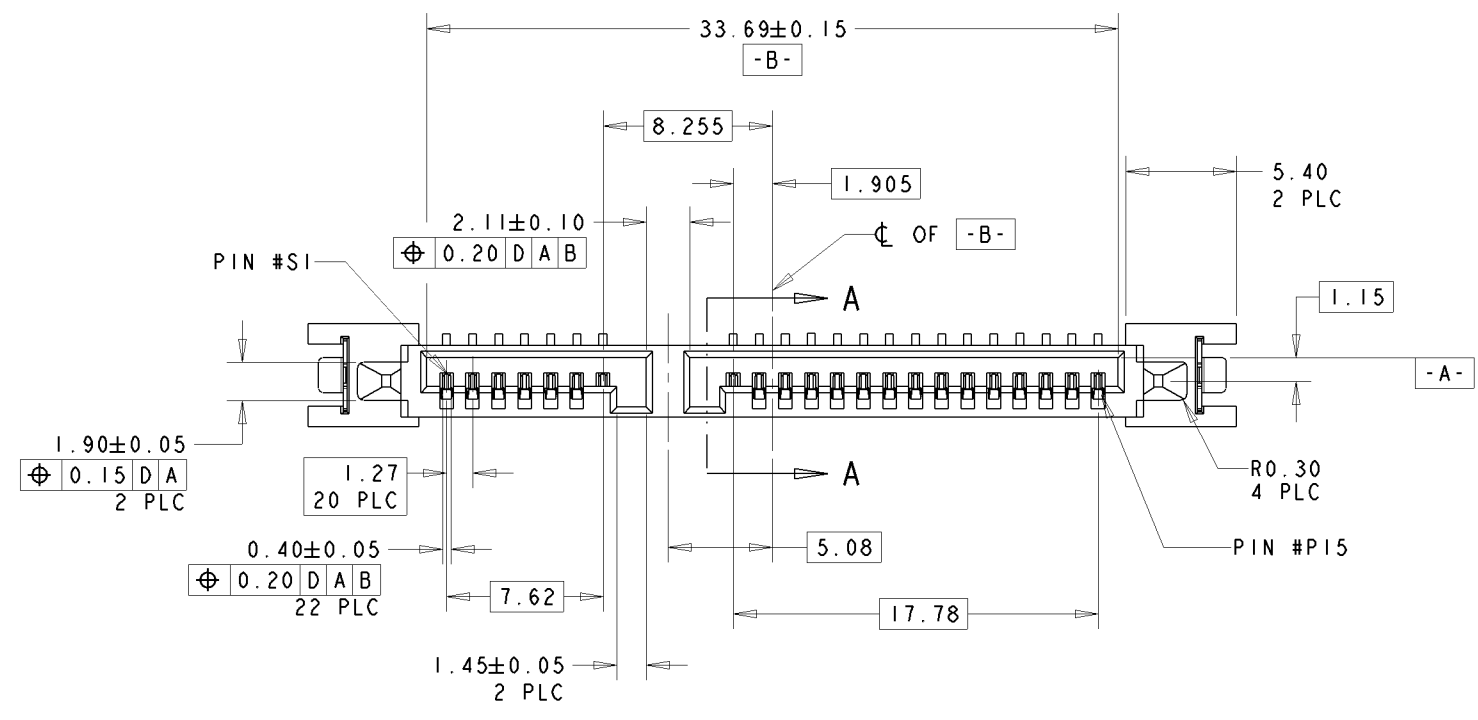


THIS DRAWING IS UNPUBLISHED. RELEASED FOR PUBLICATION .19
 BY - ALL RIGHTS RESERVED.

LOC	DIST	REVISIONS			
P	LTR	DESCRIPTION	DATE	DWN	APVD
DY	-				
	C1	REVISED PER ECO-11-005139	19MAR11	RK	HMR



SECTION A-A

NOTES:

- 1 MATERIAL:
HOUSING: HIGH TEMP THERMOPLASTIC, UL94V-0,
COLOR: BLACK
CONTACT: COPPER ALLOY
BOARDLOCK: COPPER ALLOY
- 2 FINISH:
CONTACT AREA: MIN 0.38um GOLD PLATING
SOLDERTAIL: MIN 2.54um MATTE TIN PLATING
UNDERPLATE: MIN 1.27um NICKEL PLATING
- 3 PIN #P4 AND #P12 ONLY
- 4. VIEWS IN SHEET 1 ARE SHOWN WITHOUT PICKUP CAP
- 5 HOUSING OPENING APPLICABLE TO -2 AND -5 ONLY

QTY/TRAY	TRAY	PICK-UP CAP	REMARKS	HEIGHT (H)	PART NUMBER
48	TYPE 1	YES	STANDARD PROFILE	8.15	1735284-5
20	TYPE 2	YES	LOW PROFILE	6.60	1735284-4
20	TYPE 2	NO	LOW PROFILE	6.60	1735284-3
20	TYPE 2	NO	STANDARD PROFILE	8.15	1735284-2
48	TYPE 1	YES	LOW PROFILE	6.60	1735284-1

DIMENSIONS - mm	TOLERANCES UNLESS OTHERWISE SPECIFIED: 0 PLC ± 1 PLC ± 2 PLC ±0.20 3 PLC ± 4 PLC ± ANGLES ±3° FINISH	DWN SK LEAW 14NOV2005	TE Connectivity SATA BACKPLANE RECEPTACLE, VERTICAL, SMT
		CHK SF LEONG 14NOV2005	
MATERIAL	1	APVD SF LEONG 14NOV2005	NAME
		PRODUCT SPEC 108-51052-1	APPLICATION SPEC
WEIGHT		SIZE A2	CAGE CODE 00779
CUSTOMER DRAWING		DRAWING NO. C=1735284	SCALE 4:1
		SHEET 1	OF 3
		REV C1	

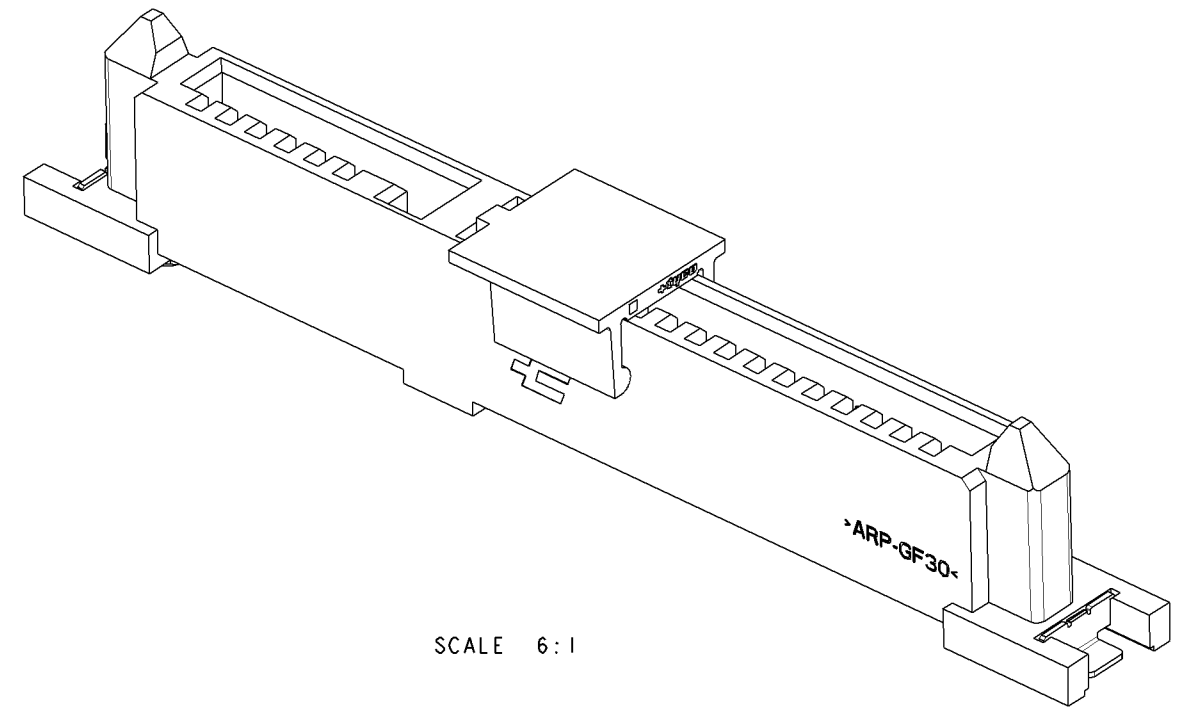
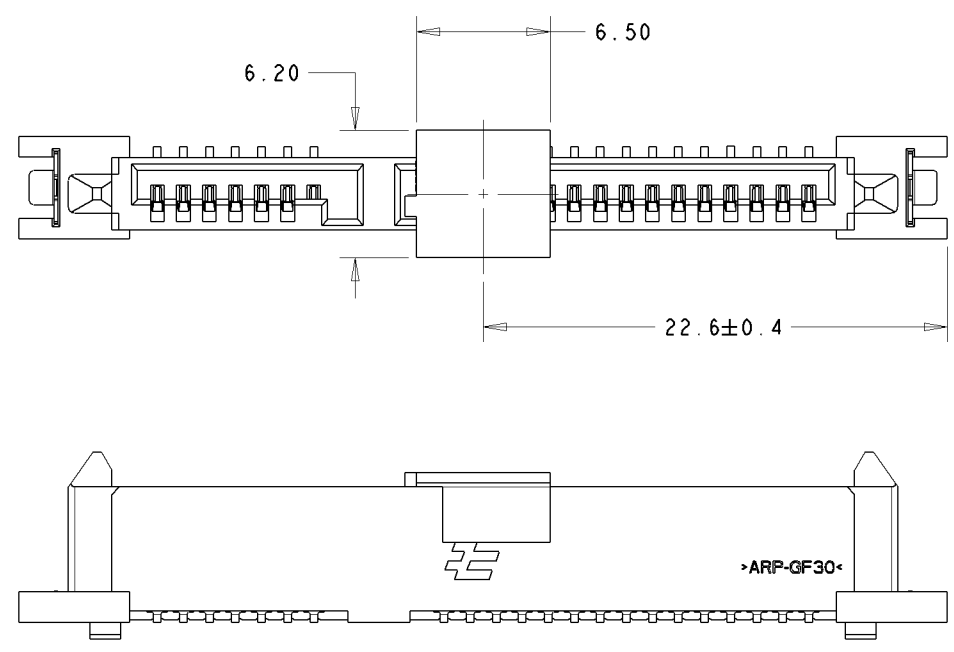
1735284

B

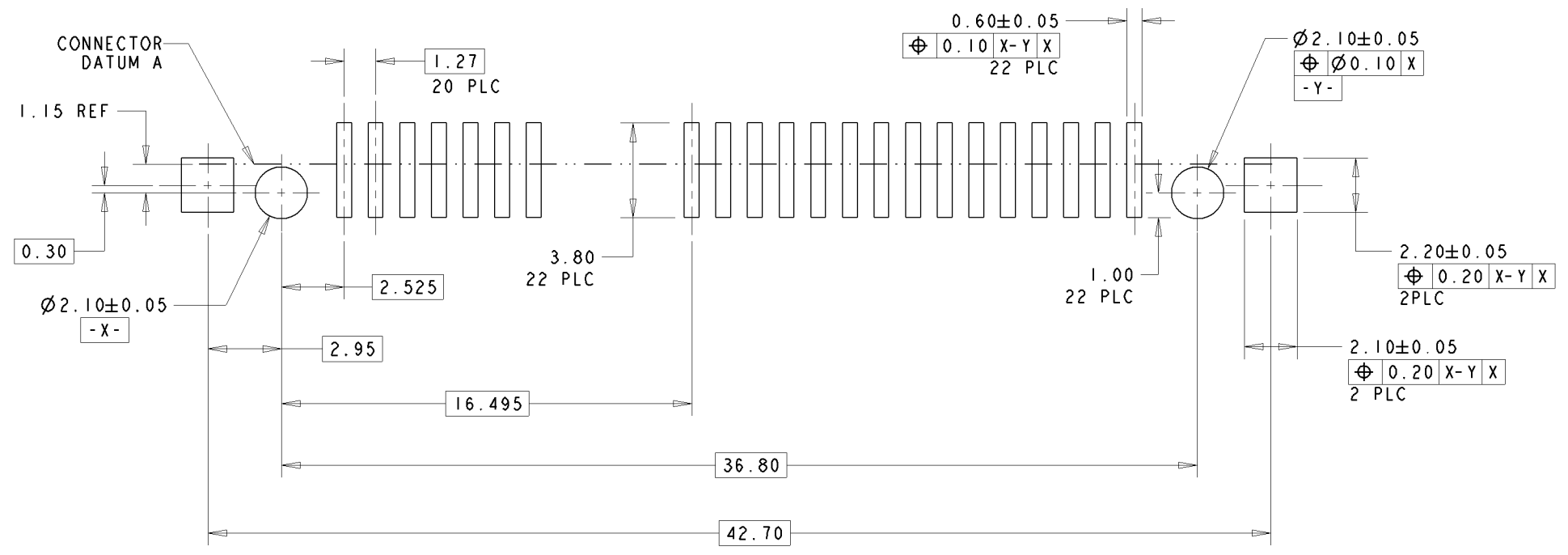
A

THIS DRAWING IS UNPUBLISHED. RELEASED FOR PUBLICATION .19
 (C) COPYRIGHT 19 BY - ALL RIGHTS RESERVED.

LOC	DIST	REVISIONS			
P	LTR	DESCRIPTION	DATE	DNW	APVD
DY	-	SEE SHEET 1	-	-	-



SCALE 6:1

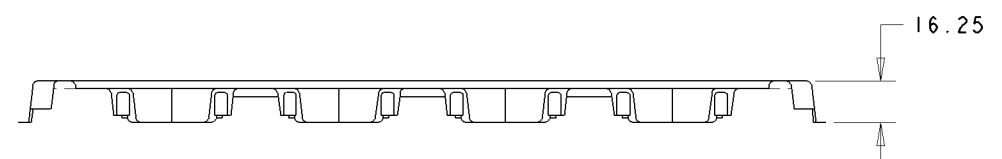
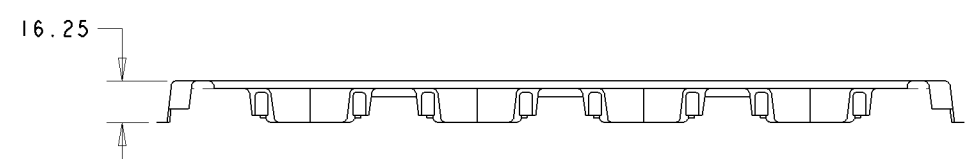
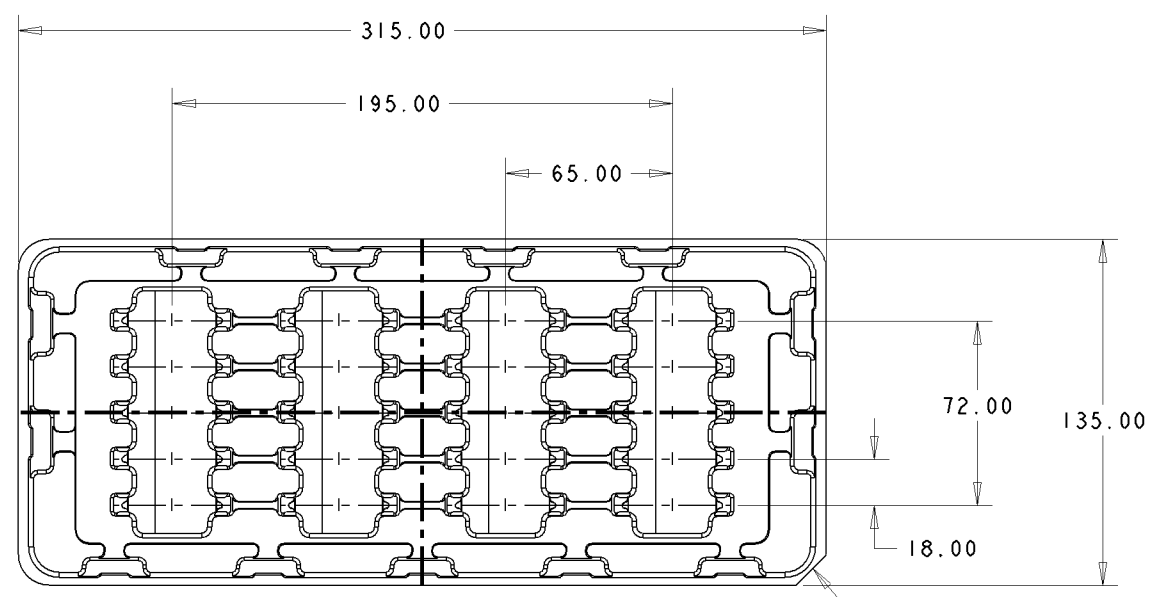
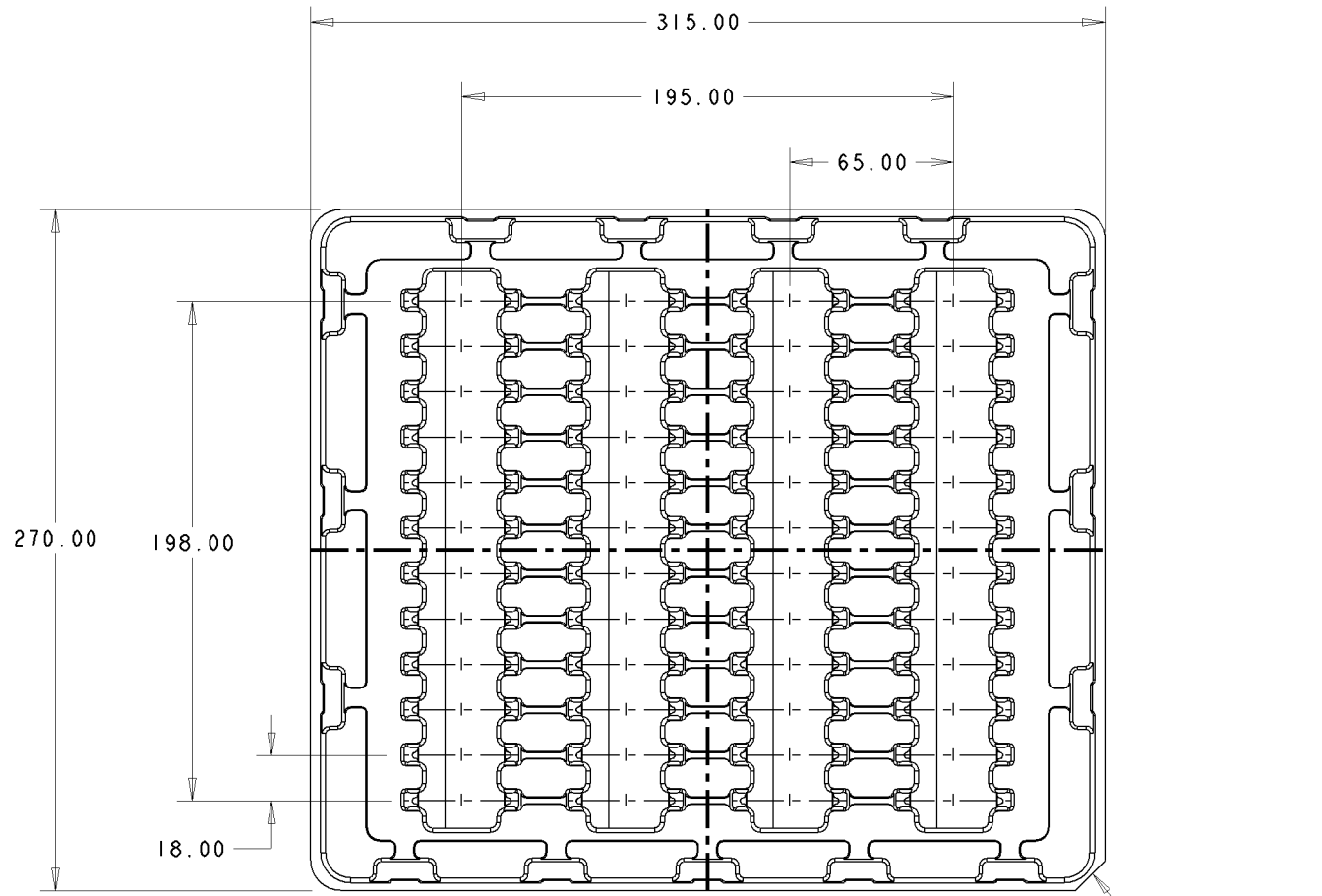


RECOMMENDED PCB LAYOUT
 SCALE 6:1

DIMENSIONS		TOLERANCES UNLESS OTHERWISE SPECIFIED:		DWN		TE Connectivity			
mm		0 PLC	±	SK LEAW	14NOV2005				
		1 PLC	±	CHK	SF LEONG			14NOV2005	
		2 PLC	±0.20	APVD	SF LEONG			14NOV2005	
		3 PLC	±	NAME	SATA BACKPLANE RECEPTACLE, VERTICAL, SMT				
		4 PLC	±	PRODUCT SPEC	108-51052-1		SIZE	CAGE CODE	DRAWING NO
		ANGLES	±3°	APPLICATION SPEC	-		A2	00779	C=1735284
		FINISH	-	WEIGHT	-		SCALE	SHEET	REV
				CUSTOMER DRAWING			4:1	2 of 3	C1

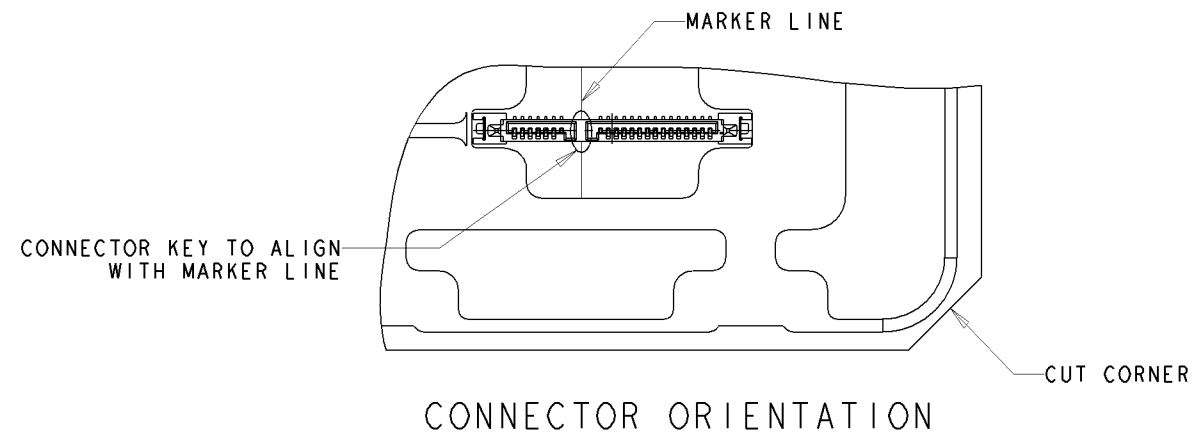
THIS DRAWING IS UNPUBLISHED. RELEASED FOR PUBLICATION .19
 (C) COPYRIGHT 19 BY - ALL RIGHTS RESERVED.

LOC	DIST	REVISIONS			
P	LTR	DESCRIPTION	DATE	DWN	APVD
DY	-	SEE SHEET 1	-	-	-



TRAY, TYPE 1
 QTY/TRAY: 48PCS

TRAY, TYPE 2
 QTY/TRAY: 20PCS



DIMENSIONS mm	TOLERANCES UNLESS OTHERWISE SPECIFIED: 0 PLC ± 1 PLC ± 2 PLC ±0.20 3 PLC ± 4 PLC ± ANGLES ±3° FINISH -	DWN SK LEAW 14NOV2005	TE Connectivity
		CHK SF LEONG 14NOV2005	
MATERIAL		APVD SF LEONG 14NOV2005	NAME
		PRODUCT SPEC 108-51052-1	SATA BACKPLANE RECEPTACLE, VERTICAL, SMT
		APPLICATION SPEC	SIZE A2
		WEIGHT	CAGE CODE 00779
		CUSTOMER DRAWING	DRAWING NO C=1735284
			SCALE 4:1 SHEET 3 OF 3 REV C1

1735284