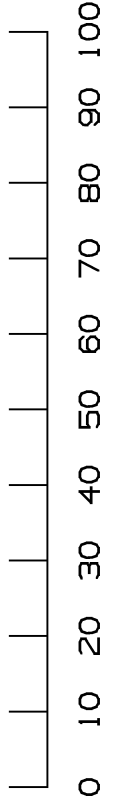
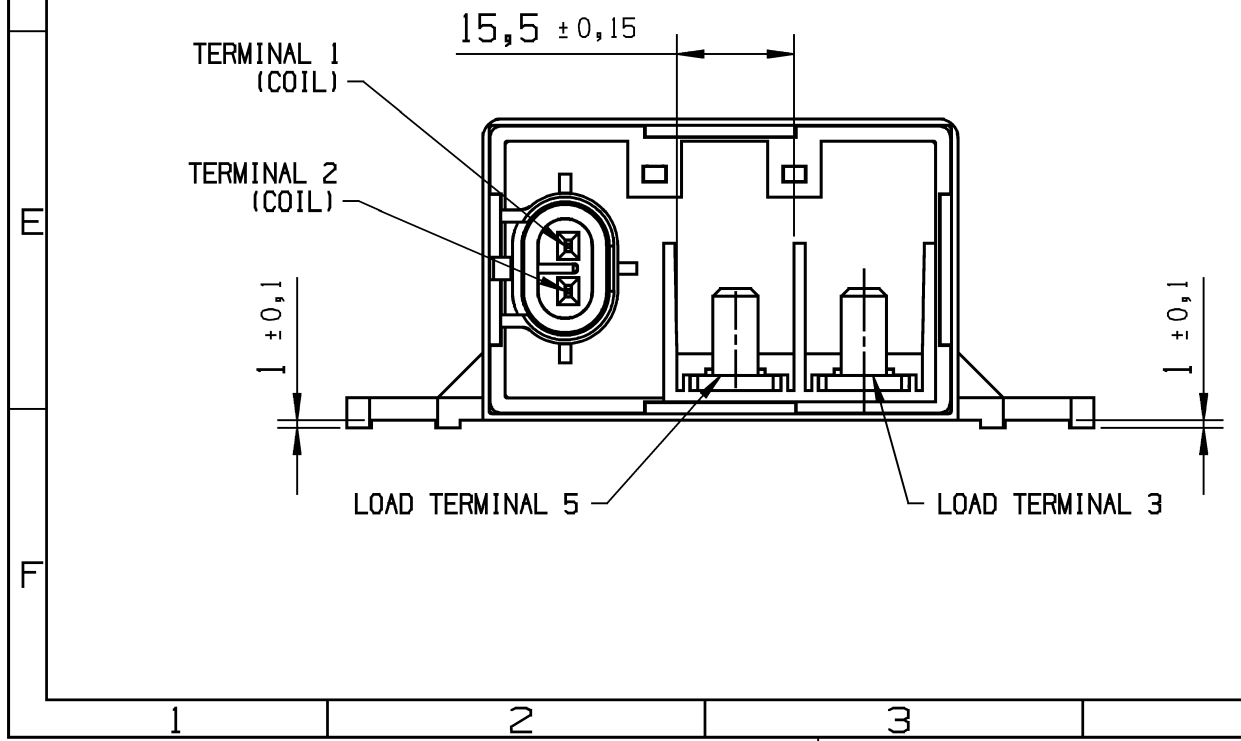
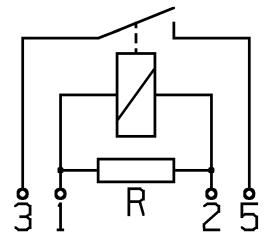


CIRCUIT DIAGRAM

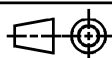



PROPRIETARY THE REPRODUCTION, TRANSMISSION OR USE OF THIS DOCUMENT OR IT'S CONTENTS IS NOT PERMITTED WITHOUT EXPRESSED WRITTEN AUTHORITY. OFFENDERS WILL BE LIABLE FOR ALL DAMAGES. ALL RIGHTS, INCLUDING RIGHTS CREATED BY REGISTERED PATENT(S) GRANTED FOR A UTILITY MODEL OR DESIGN, ARE RESERVED.				CHANGES TO THIS DRAWING MUST BE DONE ONLY IN CAD		PAPER SIZE A3	
APPLICABLE SPEC.:				FINISH			
TOLERANCE UNLESS SPECIFIED OTHERWISE				DIMENSIONS APPLY		PLATING	
DIMENSIONS IN MM				SCALE 1:1		WEIGHT	
MATERIAL				PART NAME N/O HCR 12V			
DATE 23Jul2007				NAME C.FREITAS		PART NO. V23132-A2001-B200	
LOCATION AMR PE EVORA				DATE 23Jan2014		SHT. 1	
L.Bar				DATE 06Jun2013		OF 2	
L.Bar				DATE 16Feb2009		HMF	
CFR				DATE 23Jul2007		HMF	
REV. CHANGE ORDER				DATE		APP.	



Nominal voltage:	12V
Rated current, cable 25mm ² :	130A at 85° C
Operate voltage:	max 7.2V
Limiting continuous current:	
23° C, load cable 16mm ²	130A
85° C, load cable 16mm ²	120A
125° C, load cable 16mm ²	60A
23° C, load cable 25mm ²	180A
85° C, load cable 25mm ²	130A
125° C, load cable 25mm ²	70A
Coil resistance:	37 ohm
Rated coil power:	3.9W
Relay type:	Normally opened
ambient temperature:	-40° C...125° C
Degree of protection:	dustproof: IP54 (IEC 60529), RT I (IEC 61810) immersion cleanable: IP67 (IEC 60529), RT III (IEC 61810)
Weight:	approx. 220g (7.8oz)
parallel component with coil:	resistor
Dimensions:	Length (mm [in]) = 74.20 [2.920]
	Width (mm [in]) = 40.00 [1.575]
	Height (mm [in]) = 45.00 [1.772]

0 10 20 30 40 50 60 70 80 90 100

PROPRIETARY THE REPRODUCTION, TRANSMISSION OR USE OF THIS DOCUMENT OR IT'S CONTENTS IS NOT PERMITTED WITHOUT EXPRESSED WRITTEN AUTHORITY. OFFENDERS WILL BE LIABLE FOR ALL DAMAGES. ALL RIGHTS, INCLUDING RIGHTS CREATED BY REGISTERED PATENT(S) GRANTED FOR A UTILITY MODEL OR DESIGN, ARE RESERVED.				CHANGES TO THIS DRAWING MUST BE DONE ONLY IN CAD		PAPER SIZE A3	
APPLICABLE SPEC.:				FINISH DIMENSIONS APPLY PLATING			
		TOLERANCE UNLESS SPECIFIED OTHERWISE		 DIMENSIONS IN MM		SCALE WEIGHT	
				MATERIAL Housing Housing Ultra mid A3EG5			
				PART NAME N/O HCR 12V			
				PART NO. V23132-A2001-B200			
A3 ECO-14-001137 23Jan2014 L.Bar		A2 INITIAL VERSION 06Jun2013 L.Bar		A1 --- 16Feb2009 CRF		SHT. 2	
51 --- 23Jul2007 CRF		REV. CHANGE ORDER DATE APP.				OF 2	